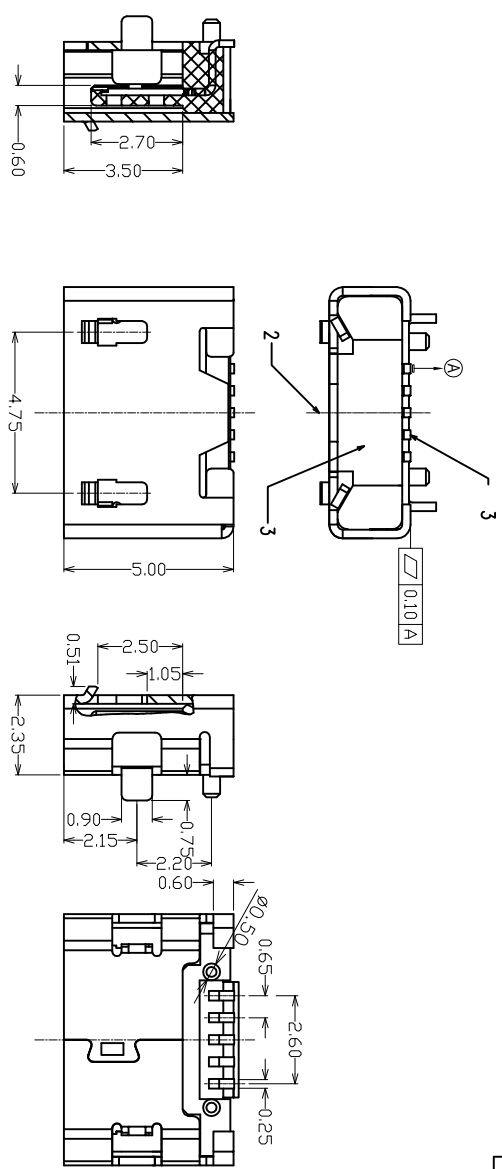


REV	ECN #	DESCRIPTION	DRAWING	APPROVED	DATE
A		NEW RELEASE	DEYI		2012 V04\26



- NOTES:
- MATERIAL:  
A. PIN&SHELL: ALLOY COPPER  
B. INSULATOR: HIGH TEMPERATURE THERMOPLASTICS UL94V-0, BLACK.
  - ELECTRICAL SPECIFICATIONS:  
VOLTAGE RATING: 250 VAC MIN  
CURRENT RATING: 2.0 A MIN  
DIELECTRIC STRENGTH: 100 VAC FOR 1 MINUTE MIN  
INSULATION RESISTANCE: 100 MEG OHM MIN  
CONTACT RESISTANCE: 100 MILL OHM MAX  
OPERATION TEMPERATURE: -55:6 TO +125:6
  - MECHANICAL SPECIFICATIONS:  
3.1 DURABILITY: 5,000 CYCLES
  - THE DIMENSION MARKED NO. SHOULD BE CHECKED IN PRODUCTION.
  - MATERIAL SHOULD BE FILLED ROHS REQUIREMENTS.

PRODUCT NO.

MU05 - 05 A B 05 - 21

① ② ③ ④

① 产品系列:

MU05: MICRO USB 连接器

② 产品PIN数:

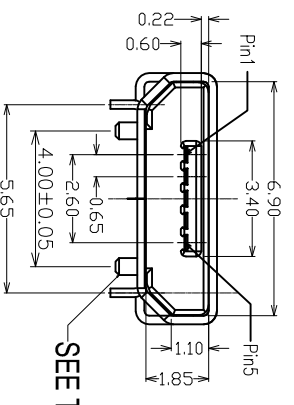
05: 5PIN

③ 主体材质:

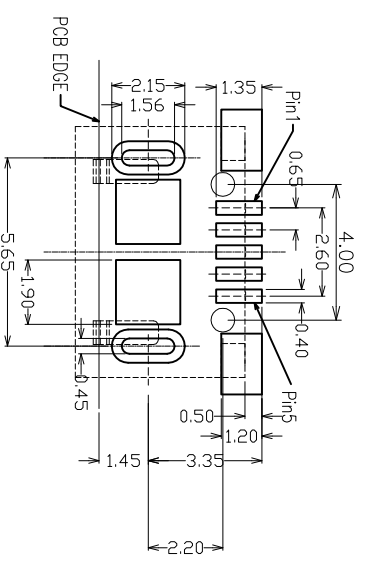
A: LCP

④ SERIES NO.:

21: 插板型5.65mm, 无翻边



SEE TABLE A



RECOMMENDED PCB LAYOUT

TABLE A:

ITEM	NAME	Q'TY/EACH	MATERIAL/FINISHED	REMARK
3	SHELL	1	ALL Tin PLATED	
2	HOUSING	1	Thermoplastic UL94V-0, BLACK	
1	CONTACT	5	Au PLATED OVER Sn PLATED	

**YTCNN** Dongguan YTCNN Electronics Technology Co., Ltd

**CUSTOMER DRAWING**

TITLE: MICRO USB 5PIN CONNECTOR DIP TYPE

P/No: MU05-05AB05-21

DRAWING NO. C-MU05-21

GENERAL TOLERANCE	DRAWING	DEYI
X ±0.20	APPROVED	
.XX ±0.15	DATE	2013.02.26
.XXX ±0.10	UNIT	mm
X, ±Z	SCALE	1:1
.XX ±Z	SIZE	A4
.XXX ±1'	SHEET	1 of 1

REV	ECN #	DESCRIPTION	DRAWING	APPROVED	DATE
A		NEW RELEASE	DEYI		2012 V04\26