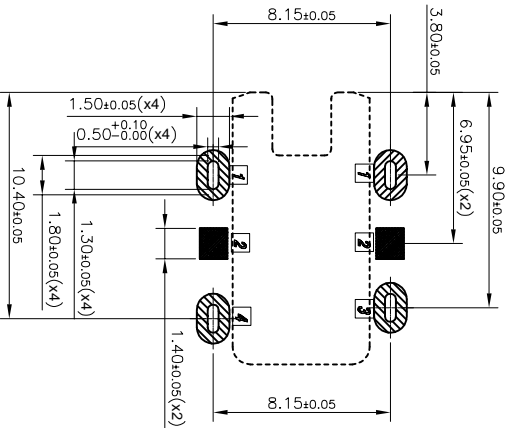
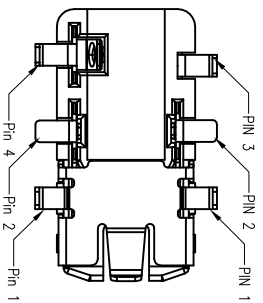
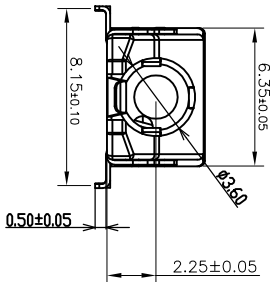
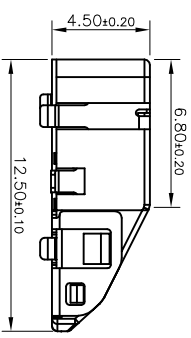
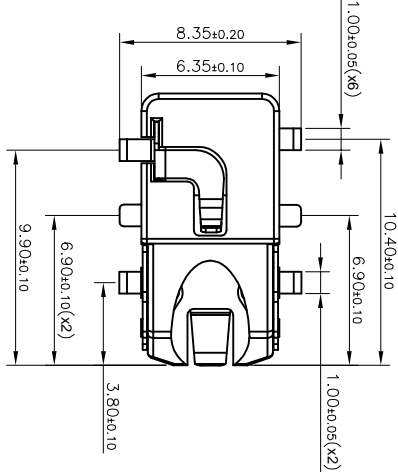
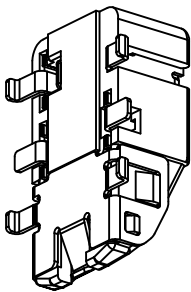


REV	ECN #	DESCRIPTION	DRAWING	APPROVED	DATE
A		NEW RELEASE	DEV1		2013/01/10



- NOTES :
- 1.0) RATING :
    - 1.1. VOLTAGE : 12 VDC (R.M.S.)
    - 1.2. CURRENT : 1 AMPERE MAXIMUM PER CONTACT AT 30° C T-RISE
    - 1.3. TEMPERATURE : -25° C TO +85° C
  - 2.0) ELECTRICAL CHARACTERISTIC
    - 2.1. CONTACT RESISTANCE : INITIAL 50mΩ MAX. AFTER 100m
    - 2.2. INSULATION RESISTANCE : 100 MΩ MIN.
    - 2.3. DIELECTIC WITHSTANDING VOLTAGE : 500 VAC AT SEA LEVEL
  - 3.0) MECHANICAL :
    - 3.1. DURABILITY , MINIMUM: MATED 5000 CYCLES WITHOUT DEGRADING ELECTRICAL
    - 3.2. INITIAL-MATING FORCE: 300g~2000g UNMATING FORCE: 200g~2000g
    - 3.3. AFTER LIFE TESTING-MATING FORCE: 300g~2000g UNMATING FORCE: 200g~2000g

PRODUCT NO.

PJ05-06 A B 03-06

① ② ③ ④

① PRODUCT SERIES:

PJ05 : PHONE JACK CONNECTOR

② PIN NO.:

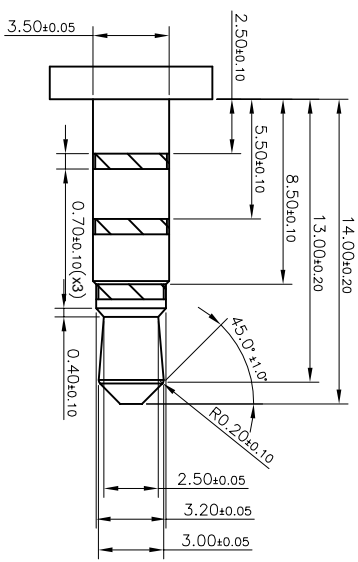
06 : 6PIN

③ MATERIAL:

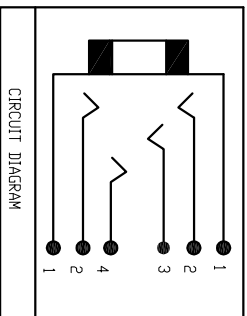
A : LCP

④ SERIES NO.:

06:板上型,前插后插



THE RECOMMENDED MATING AUDIO PLUG  
3.50mm 4-POLE PLUG



**CUSTOMER DRAWING**

**YTCOON**  
Dongguan YTCOON Electronics Technology Co., Ltd.

TITLE: PHONE JACK CONNECTOR  
前插后插, 板上型

GENERAL TOLERANCE:  
X ±0.20  
.XX ±0.15  
.XXX ±0.10

ANGEL TOLERANCE:  
X ±5°  
.XX ±2°  
.XXX ±1°

DRAWING: DEV1

DATE: 2016.03.18

UNIT: mm

SCALE: 1:1

SIZE: A4

SHEET: 1 of 1

DRAWING NO.: C-PJ05-06