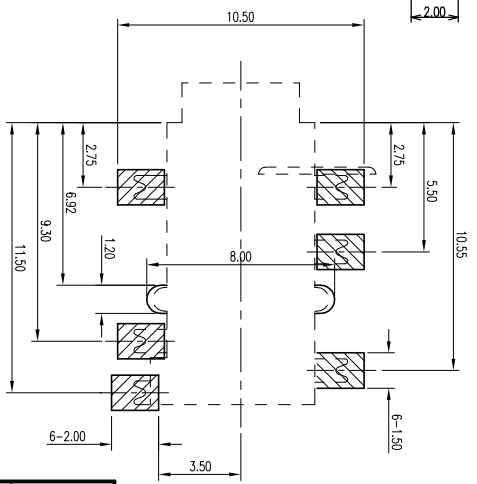
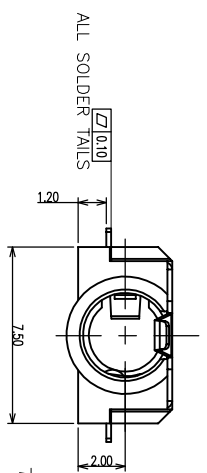
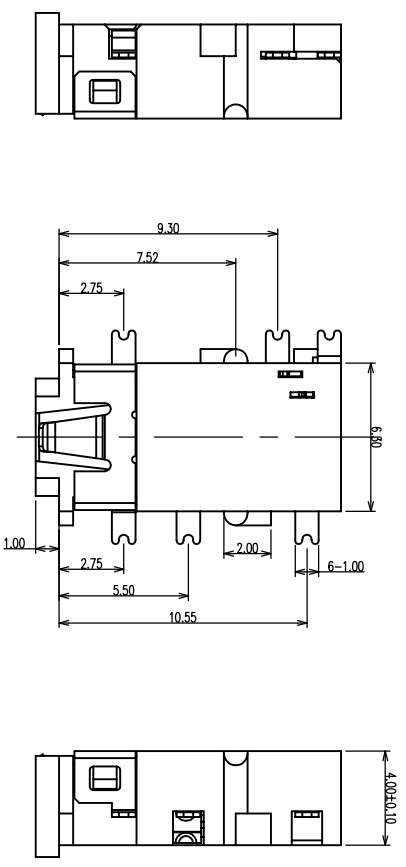
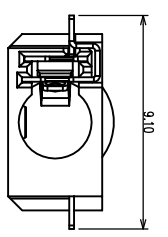
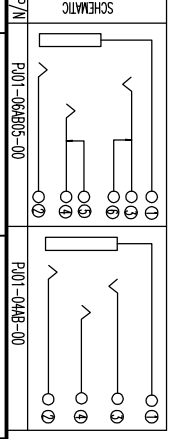


REV	ECON #	DESCRIPTION	DRAWING	APPROVED	DATE
A		NEW RELEASE	DEYI		2012/4/24



(ø3.50mm 4 POLE PLUG DETAIL DRAWING)

NO.	Part Name	QTY	Description	Plated/Color	Note
1	TERMINAL A	1	CS210R-H T=0.20mm	Plated Au	
2	TERMINAL B	1	CS210R-H T=0.20mm	Plated Au	
3	TERMINAL C	1	CS210R-H T=0.20mm	Plated Au	
4	TERMINAL D	1	CS210R-H T=0.20mm	Plated Au	
5	TERMINAL E	1	CS210R-H T=0.20mm	Plated Au	
6	TERMINAL F	1	CS210R-H T=0.20mm	Plated Au	
7	HOUSING	1	LCP+30%GF/PA66+40%GF	Color BLACK	UL-94V-0



CUSTOMER DRAWING

YTCONN Dongguan YTCONN Electronics Technology Co., Ltd.

DRAWING DEYI TITLE: PHONE JACK CONNECTOR SLIM TYPE (短头)

APPROVED: P/N: PJ02-06AB07-0X

DATE: 2014.05.05 DRAWING NO.: C-PJ02-01

UNIT: mm SCALE: 1:1 SIZE: A4 SHEET: 1 of 1 REV: A

GENERAL TOLERANCE:
X: ±0.20
.XX: ±0.15
.XXX: ±0.10

ANGEL TOLERANCE:
X: ±3°
.XX: ±2°
.XXX: ±1°

- PRODUCT NO.: PJ02-06 A B 07-01
- ① ② ③ ④
- PRODUCT SERIES:
① PJ02: PHONE JACK CONNECTOR SLIM type.
② PIN NO.:
04: 4PIN
06: 6PIN
③ MATERIAL:
A: LCP
④ SERIES NO.:
01: ø3.5mm 短头 H=4.0mm正包装
03: ø3.5mm 短头 H=4.0mm反包装

- NOTES:
- 1.0. RATING :
 - 1.1. VOLTAGE : 12 VAC (R.M.S)
 - 1.2. CURRENT : 1 AMPERE MAXIMUM PER CONTACT AT 30°C T-RISE
 - 1.3. TEMPERATURE : -20°C TO +70°C
 - 2.0. ELECTRICAL CHARACTERISTIC :
 - 2.1. CONTACT RESISTANCE : 50 MILLIOHMS MAXIMUM INITIAL
 - 2.2. INSULATION RESISTANCE : 100 MEGOHMS MINIMUM
 - 2.3. DIELECTRIC WITHSTANDING VOLTAGE : 500 VAC AT SEA LEVEL
 - 3.0. MATERIALS :
 - 3.1. CONTACT : COPPER ALLOY
 - 3.2. HOUSING : THERMOPLASTIC, GLASS FILLED, 130°C, UL 94V-0 RATED
 - 4.0. MECHANICAL :
 - 4.1. INSERTION FORCE(PER CONTACT): 300~3000 GRAMS
 - 4.2. WITHDRAWAL FORCE(PER CONTACT): 300~3000 GRAMS
 - 4.3. DURABILITY : MINIMUM: MATED 5000 TIMES WITHOUT DEGRADING ELECTRICAL CHARACTERISTICS
 - 4.4. CONTACT FORCE, MINIMUM: 80 GRAMS