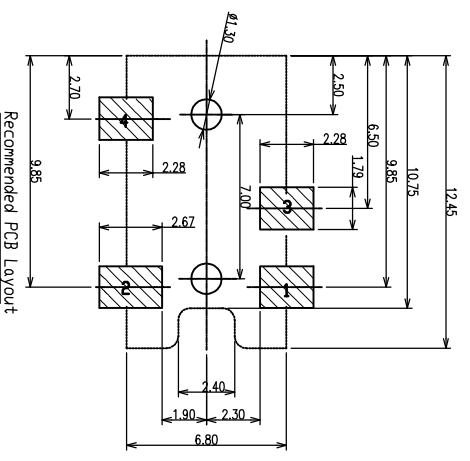
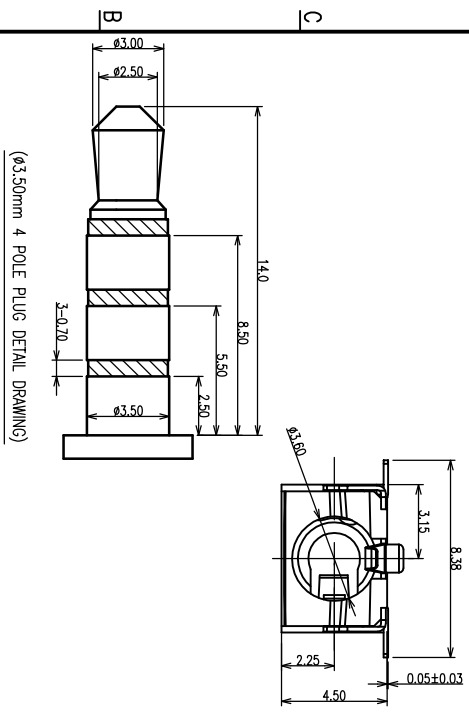
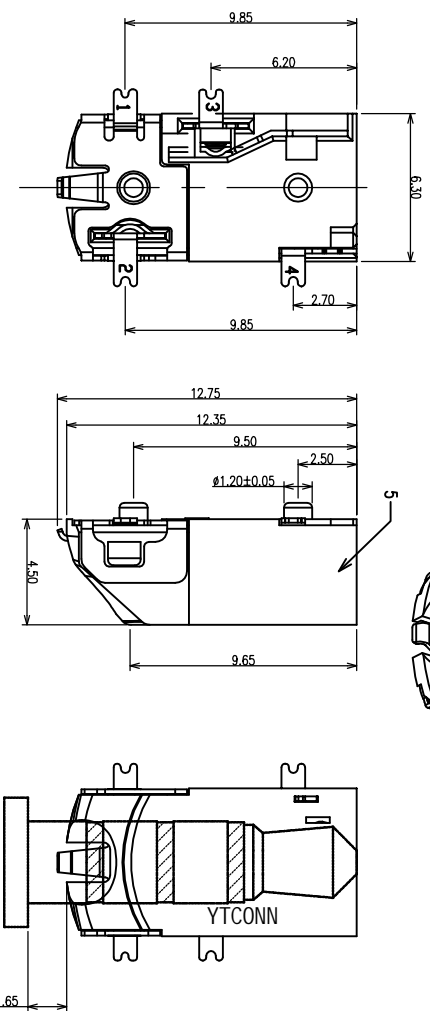
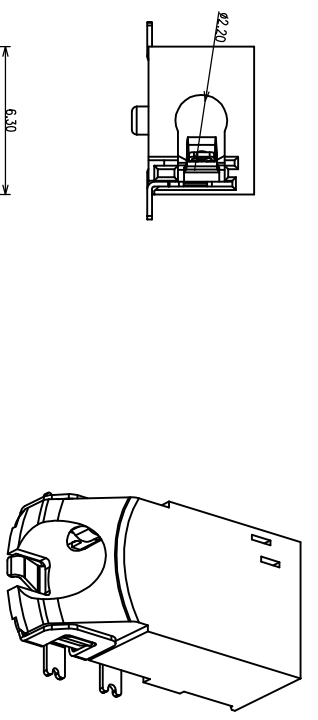
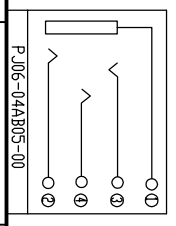


REV	ECH #	DESCRIPTION	DRAWING	APPROVED	DATE
A		NEW RELEASE	DEYI		2012/4/24
B		去除胶芯侧面槽位	DEYI		2012/11/29



NO.	Part Name	QTY	Description	Placed/Color	Note
1	TERMINAL A	1	C320R-H 1-ø20mm	Plated Au	
2	TERMINAL B	1	C320R-H 1-ø20mm	Plated Au	
3	TERMINAL C	1	C320R-H 1-ø20mm	Plated Au	
4	TERMINAL D	1	C320R-H 1-ø20mm	Plated Au	
5	HOUSING	1	LCF-3020F/PA66+40%GF	Color:BLACK	DL-34V-0



CUSTOMER DRAWING

YTCONN Dongguan YTCONN Electronics Technology Co., Ltd.

PRODUCT NO.: PJ06-04 A B 05-02

PRODUCT SERIES: PJ06: PHONE JACK CONNECTOR H=4.5mm 斜口

① PIN NO. : 04: 4PIN

② MATERIAL: A: PA-9T

③ SERIES NO. : 02: 短型斜口

GENERAL TOLERANCE	DRAWING	DEYI	TITLE:
X ±0.20	APPROVED		4.5h 4PIN短型斜口耳机座
.XX ±0.15	DATE	2016.01.13	
.XXX ±0.10	UNIT	mm	
ANGEL TOLERANCE	SCALE	1:1	
X ±5°	SIZE	A4	
.XX ±2°	SHEET	1 of 1	
.XXX ±1°	REV	A	

NOTES :

- RATING : 1.1. VOLTAGE : 12 VAC (R.M.S.)
- CURRENT : 1 AMPERE MAXIMUM PER CONTACT AT 30°C T-RISE
- TEMPERATURE : -20°C TO +70°C
- ELECTRICAL CHARACTERISTIC : 2.0. ELECTRICAL CHARACTERISTIC : 2.1. CONTACT RESISTANCE : 50 MILLIOHMS MAXIMUM INITIAL 2.2. INSULATION RESISTANCE : 100 MEGOHMS MINIMUM 2.3. DIELECTRIC WITHSTANDING VOLTAGE : 500 VAC AT SEA LEVEL
- MATERIALS : 3.0. MATERIALS : 3.1. CONTACT : COPPER ALLOY 3.2. HOUSING : THERMOPLASTIC, GLASS FILLED, 130°C, UL 94V-0 RATED
- MECHANICAL : 4.0. MECHANICAL : 4.1. INSERTION FORCE(PER CONTACT): 300~3000 GRAMS 4.2. WITHDRAWAL FORCE(PER CONTACT): 300~3000 GRAMS 4.3. DURABILITY : MINIMUM: MATED 5000 TIMES WITHOUT DEGRADING ELECTRICAL CHARACTERISTICS 4.4. CONTACT FORCE, MINIMUM: 80 GRAMS