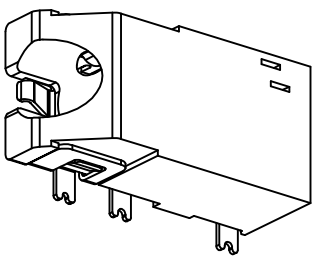
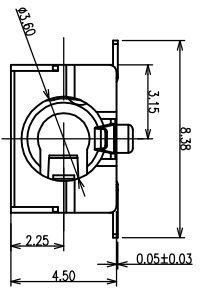
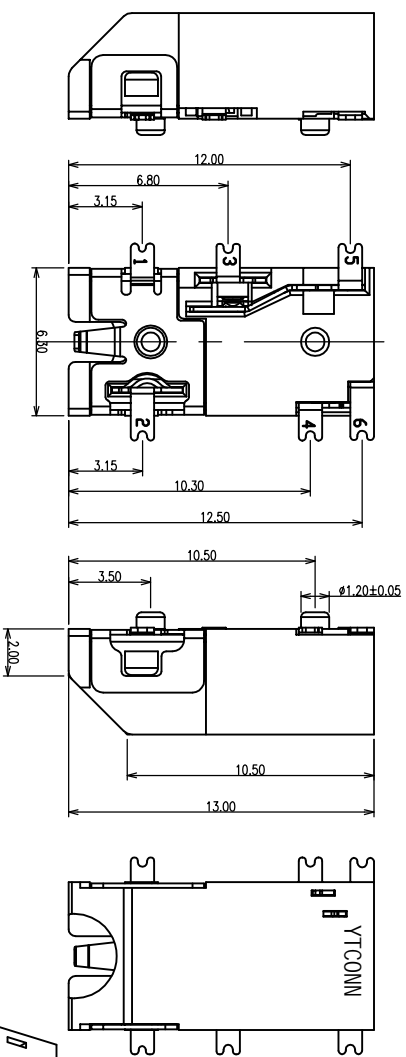
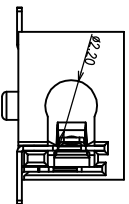


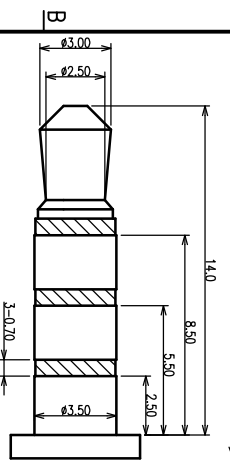
REV	ECON #	DESCRIPTION	DRAWING	APPROVED	DATE
A		NEW RELEASE	DEYI		2012/4/24
B		去除胶芯侧面槽位	DEYI		2012/11/29



- NOTES :
- 1.0. RATING :
 - 1.1. VOLTAGE : 12 VAC (R.M.S.)
 - 1.2. CURRENT : 1 AMPERE MAXIMUM PER CONTACT AT 30°C T-RISE
 - 1.3. TEMPERATURE : -20°C TO +70°C
 - 2.0. ELECTRICAL CHARACTERISTIC :
 - 2.1. CONTACT RESISTANCE : 50 MILLIOHMS MAXIMUM INITIAL
 - 2.2. INSULATION RESISTANCE : 100 MEGOHMS MINIMUM
 - 2.3. DIELECTRIC WITHSTANDING VOLTAGE : 500 VAC AT SEA LEVEL
 - 3.0. MATERIALS :
 - 3.1. CONTACT : COPPER ALLOY
 - 3.2. HOUSING : THERMOPLASTIC, GLASS FILLED, 130°C, UL 94V-0 RATED
 - 4.0. MECHANICAL :
 - 4.1. INSERTION FORCE(PER CONTACT): 300~3000 GRAMS
 - 4.2. WITHDRAWAL FORCE(PER CONTACT): 300~3000 GRAMS
 - 4.3. DURABILITY, MINIMUM: MATED 5000 TIMES WITHOUT DEGRADING ELECTRICAL CHARACTERISTICS
 - 4.4. CONTACT FORCE, MINIMUM: 80 GRAMS

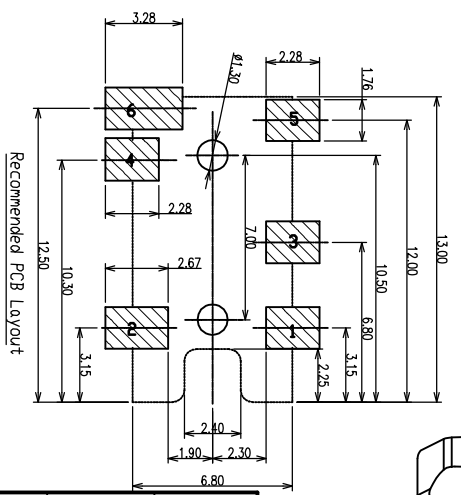
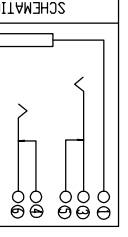
PRODUCT NO. : PJ06-06 A B 05-00
 PRODUCT SERIES : ① ② ③ ④
 P106: PHONE JACK CONNECTOR H=4.5mm 斜口

- ① PIN NO. :
- ② 06: 6PIN
- ③ MATERIAL: A: PA-9T
- ④ SERIES NO.: 00:



(ø3.50mm 4 POLE PLUG DETAIL DRAWING)

NO.	Part Number	Description	Plated/Coated
1	TERMINAL A	CS210R-H T=0.20mm	Plated Au
2	TERMINAL B	CS210R-H T=0.20mm	Plated Au
3	TERMINAL C	CS210R-H T=0.20mm	Plated Au
4	TERMINAL D	CS210R-H T=0.20mm	Plated Au
5	TERMINAL E	CS210R-H T=0.20mm	Plated Au
6	TERMINAL F	CS210R-H T=0.20mm	Plated Au
7	HOUSING 1	LCP+30%GF / PA46+40%GF Resin Black 94V-0	Plated Au



CUSTOMER DRAWING

YTCOON Dongguan YTCOON Electronics Technology Co., Ltd.

GENERAL TOLERANCE		DRAWING		TITLE:	
X	±0.20	DEYI		PHONE JACK CONNECTOR 4.5h 6PIN斜口	
.XX	±0.15	APPROVED		P/N:	PJ06-06AB05-00
.XXX	±0.10	DATE	2016.1.13	DRAWING NO.	C-PJ06-00
ANGEL TOLERANCE		UNIT	mm	SCALE	1:1
X	±5°	SIZE	A4	SHEET	1of1
.XX	±2°	REV			A
.XXX	±1°				