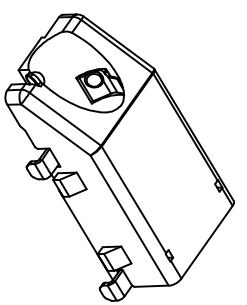


REV	ECN #	DESCRIPTION	DRAWING	APPROVED	DATE
A		NEW RELEASE	DEV1		2012/05/25



- NOTES:
- CONTACT CURRENT RATING: 1A.
 - CONTACT RESISTANCE: 50 mΩ MAX.;
 - INSULATION RESISTANCE: 1000 Ω MIN.;
 - DI ELECTRIC WITHSTANDING: 500V AC MIN.;
 - DURABILITY: 5, 000 CYCLES MIN.;
 - CONNECTOR MATING FORCES: 29. 4N (3. 00kgf) MAX.;
 - CONNECTOR UNMATING FORCES: 2. 94N(0. 30kgf) MIN.;

PRODUCT NO.

PJ18-05 A B 03-XX

① PRODUCT SERIES:

PJ19: PHONE JACK CONNECTOR

② PIN NO.:

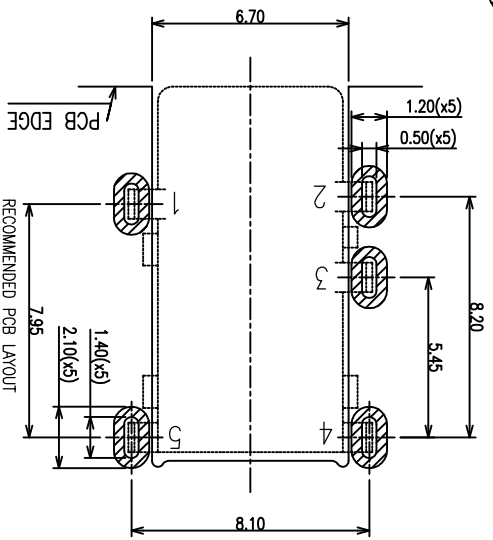
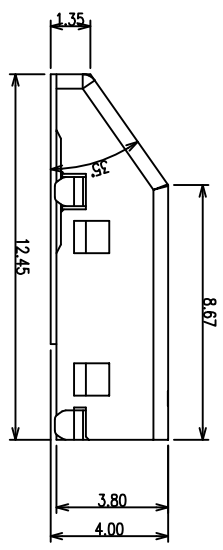
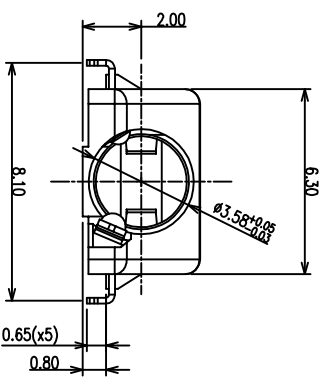
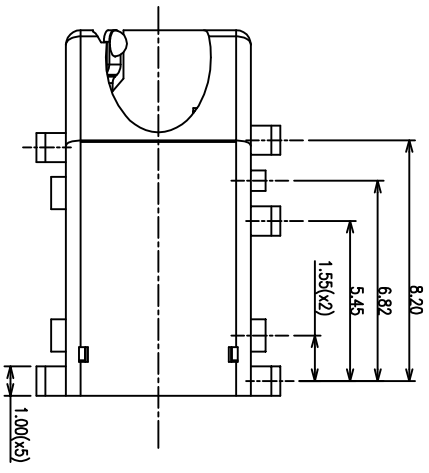
05: 5PIN

③ MATERIAL:

A: PA9T

④ SERIES NO.:

00 版本0. 80

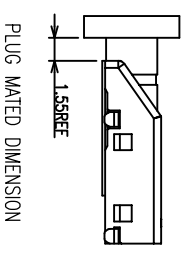
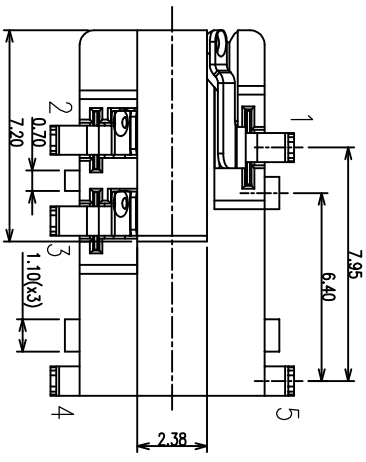


RECOMMENDED PCB LAYOUT

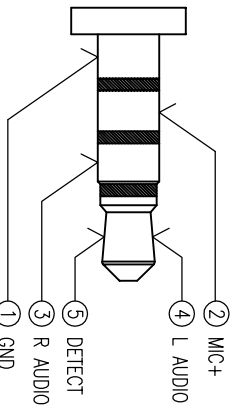
TOLERANCES ±0.05(TOP VIEW)

TABLE A:

ITEM	NAME	QTY	MATERIAL / FINISH
6	HOUSING	1	HIGH TEMPERATURE UL 94-V0 BLACK
5	CONTACT 5	1	COPPER ALLOY/CONTACT AREA GOLD PLATED
4	CONTACT 4	1	COPPER ALLOY/CONTACT AREA GOLD PLATED
3	CONTACT 3	1	COPPER ALLOY/CONTACT AREA GOLD PLATED
2	CONTACT 2	1	COPPER ALLOY/CONTACT AREA GOLD PLATED
1	CONTACT 1	1	COPPER ALLOY/CONTACT AREA GOLD PLATED



PLUG MATED DIMENSION
耳机座斜口面建议以机壳做限位
防止耳机头在插拔时力量过大
将耳机座损坏



CUSTOMER DRAWING

YTCONN
http://www.ytconn.com

Dongguan YTCOON
Electronics Technology Co., Ltd

GENERAL TOLERANCE

X ±0.20
.XX ±0.15
.XXX ±0.10

DRAWING

DEV1

TITLE:

4.0针斜口双声道8型耳机座

ANGEL TOLERANCE

X ±.5°
.XX ±2°
.XXX ±1°

APPROVED

DATE

P/N:

PJ19-05AB03-00

DATE

2014. 08. 16

DRAWING NO.

C-PJ19-00

UNIT

mm

SCALE

1:1

SIZE

A4

SHEET

1of1

1 2 3 4 5 6 7 8 9 10