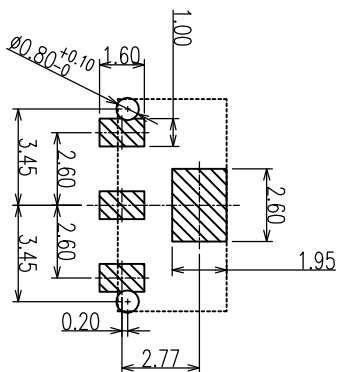
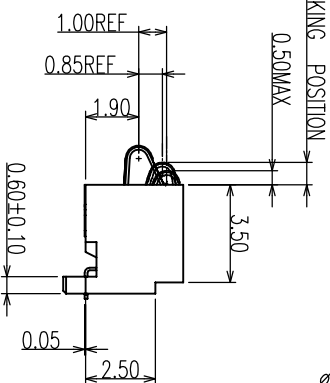
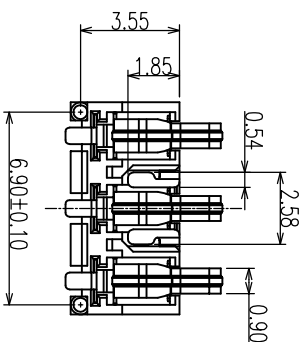
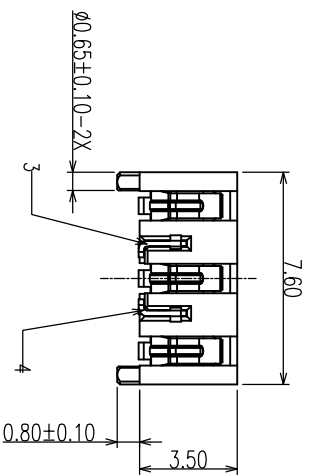
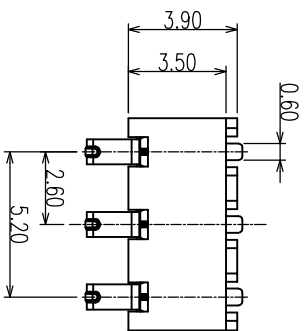


REV	ECN #	DESCRIPTION	DRAWING	APPROVED	DATE
A		NEW RELEASE	DEV1		2012/4/24



RECOMMENDED PCB LAYOUT  
TOLERANCE: ±0.05

- NOTES:
- MATERIAL  
1.1.HOUSING:THERMOPLASTIC,UL 94V-0 COLOR:BLACK  
1.2.CONTACT:COPPER ALLOY T=0.50  
1.3.CAP:THERMOPLASTIC,UL 94V-0 COLOR:BLACK
  - FINISH:  
2.1.CONTACT:3U" GOLD PLATING ON CONTACT AREA  
80U" MIN NICKEL UNDERPLATING OVER ALL

PRODUCT NO.

BT14-03 A B 05-00

① ② ③ ④

PRODUCT SERIES:

① BT14: 电池连接器 3.5H

② PIN NO.:

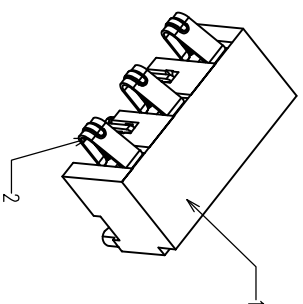
03: 3PIN

③ MATERIAL:

A: LCP

④ SERIES NO.:

00: 3PIN 3.5H 有柱电池连接器



ITEM	NAME	Q' TV/EA/CH	MATERIAL/FINISHED	REMARK
3	PAD	2	COPPER ALLOY SN PLATED	
2	CONTACT	3	COPPER ALLOY WATING AREA Au PLATED	
1	HOUSING	1	THERMOPLASTIC UL94V-0, BLACK	

CUSTOMER DRAWING

**YTCONN**  
http://www.ytconn.com

**Dongguan YTCONN**  
Electronics Technology Co., Ltd.

GENERAL TOLERANCE

X ±0.20  
XX ±0.15  
XXX ±0.10

DRAWING DEVT

TITLE:

3PIN 3.5H 有柱电池连接器

APPROVED

P/N:

BT14-03AB05-00

ANGLE TOLERANCE

X ±3°  
XX ±2°  
XXX ±1°

DATE 2012.04.24

DRAWING NO.

C-BT14-00



UNIT	SCALE	SIZE	A4	SHEET	1 of 1	REV	A
mm	1:1	A4					