

REV	ECON #	DESCRIPTION	DRAWING	APPROVED	DATE
A		NEW RELEASE	DEYI		2012/4/24

NOTES:

1. MATERIAL

- 1.1. HOUSING: THERMOPLASTIC, UL 94V-0 COLOR: BLACK
- 1.2. CONTACT: COPPER ALLOY T=0.50
- 1.3. CAP: THERMOPLASTIC, UL 94V-0 COLOR: BLACK

2. FINISH:

- 2.1. CONTACT: 3U" GOLD PLATING ON CONTACT AREA
- 80U" MIN NICKEL UNDERPLATING OVER ALL

PRODUCT NO.

BT08-03 A B 10-05

- ①
- ②
- ③
- ④

PRODUCT SERIES:

- ① BT08: 3pin 刀式 电池连接器 8600

- ② PIN NO.:

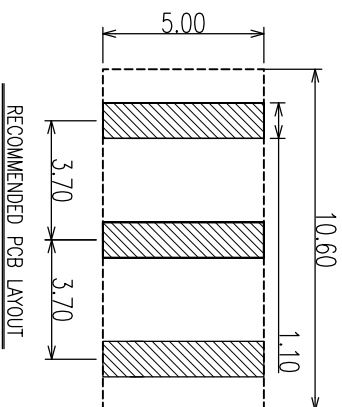
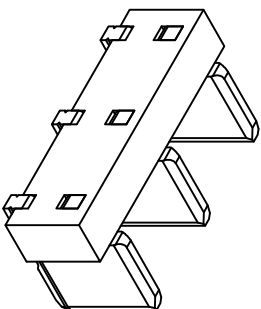
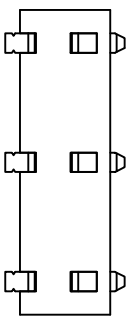
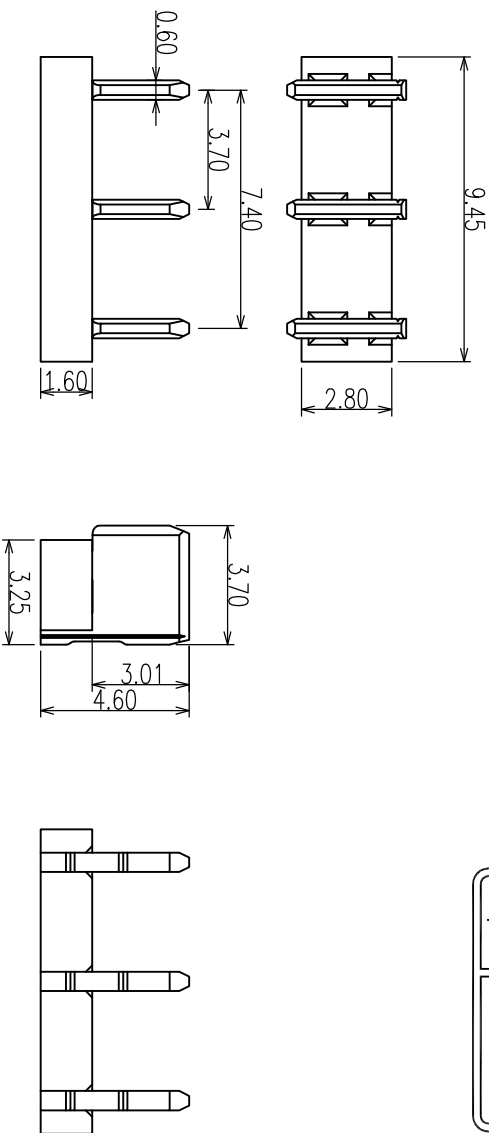
03: 3PIN

- ③ MATERIAL:

A: LCP

- ④ SERIES NO.:

05: H=3.7mm, 刀片高度3.7H



项目	名称	数量/套	MATERIAL/FINISH	REMARK
2	端子	3	COPPER ALLOY AU PLATED OVER NICKEL PLATED	
1	胶芯	1	Thermoplastic UL94V-0, BLACK	

YTCOON
Dongguan YTCOON Electronics Technology Co., Ltd.
http://www.hnytc.com

CUSTOMER DRAWING

DRAWING DEYI

TITLE:

3PIN 刀片式 电池连接器
H=3.7mm 3.70Pin tch, 刀片高度3.7H

GENERAL TOLERANCE

X ±0.20

.XX ±0.15

.XXX ±0.10

APPROVED

P/N:

BT08-03AB10-05

ANGEL TOLERANCE

X ±3°

.XX ±2°

.XXX ±1°

DATE 2012.04.24

DRAWING NO.

C-BT08-05



UNIT mm

SCALE 1:1

SIZE A4

SHEET 1 of 1

REV A