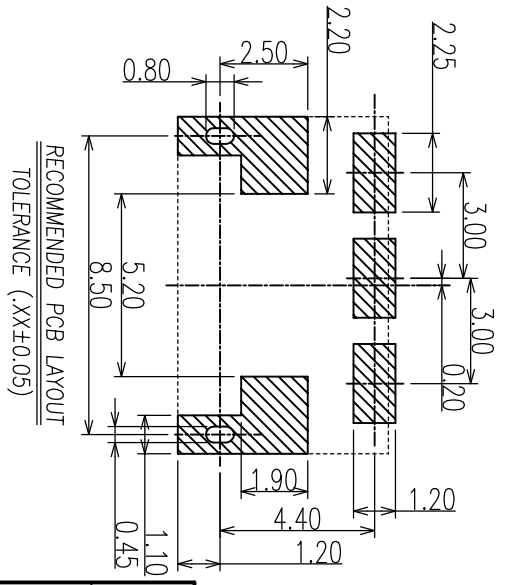
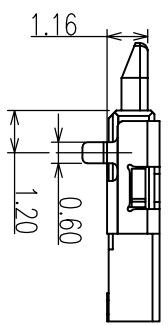
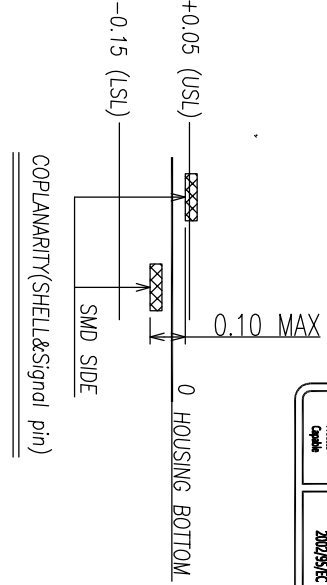
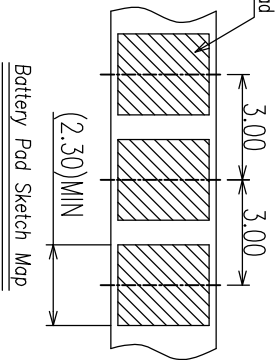
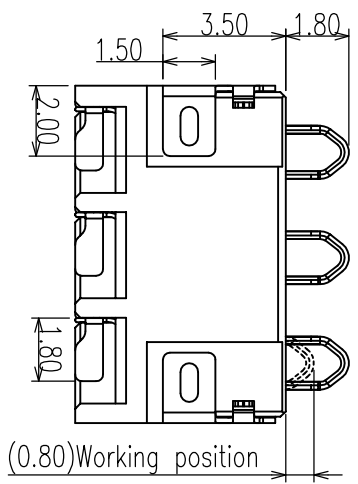
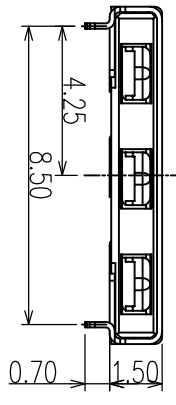
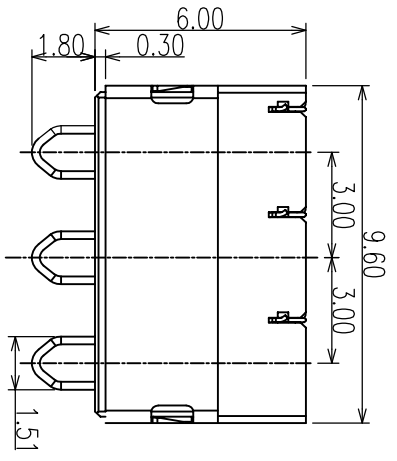


REV	EON #	DESCRIPTION	DRAWING	APPROVED	DATE
A		NEW RELEASE	DEY1		2012/4/24



RECOMMENDED PCB LAYOUT
TOLERANCE (.XX±0.05)

- NOTES:
- MATERIAL
 - 1.1.HOUSING:THERMOPLASTIC,UL 94V-0 COLOR:BLACK
 - 1.2.CONTACT: COPPER ALLOY T=0.50
 - 1.3.CAP:THERMOPLASTIC,UL 94V-0 COLOR:BLACK
- 2.FINISH:
- 2.1.CONTACT:3U*GOLD PLATING ON CONTACT AREA
 - 80U*MIN NICKEL UNDERPLATING OVER ALL

PRODUCT NO.

BT21-03 A B 05-02

① ② ③ ④

PRODUCT SERIES:

① BT21:3PIN BATTERY CONNECTORT 1.9H 3.0PITCH

② PIN NO. :

03: 3PIN

③ MATERIAL:

A: LCP

④ SERIES NO. :

02: 插板锡脚宽度0.6mm, 1.5h

CUSTOMER DRAWING		YTCONN http://www.hytcconn.com		Dongguan YTCONN Electronics Technology Co., Ltd.	
GENERAL TOLERANCE		DRAWING	DEY1	TITLE:	
X	±0.20	APPROVED		3PIN BATTERY CONNECTORT 1.5H 3.0PITCH	
.XX	±0.15	DATE	2013. 05. 04	P/N:	BT21-03AB05-02
.XXX	±0.10	UNIT	mm	DRAWING NO.	C-BT21-02
ANGEL TOLERANCE	±3°	SCALE	1:1	SIZE	A4
X	±2°	SHEET		SHEET	1of1
.XX	±1°	REV		REV	A
.XXX	±1°				