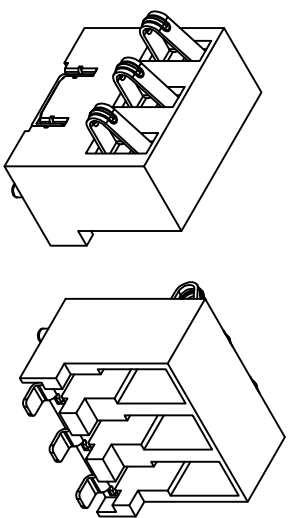
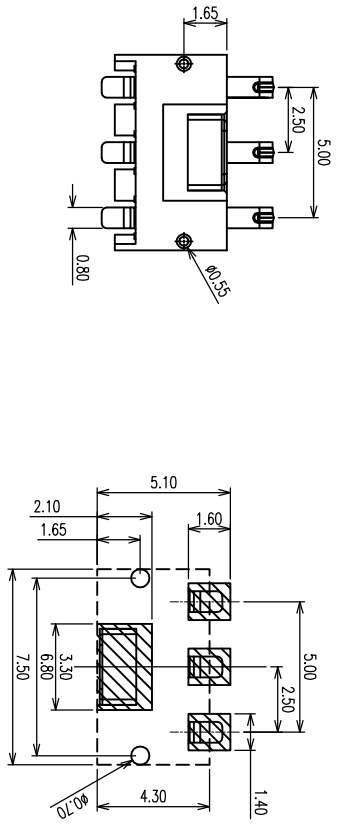
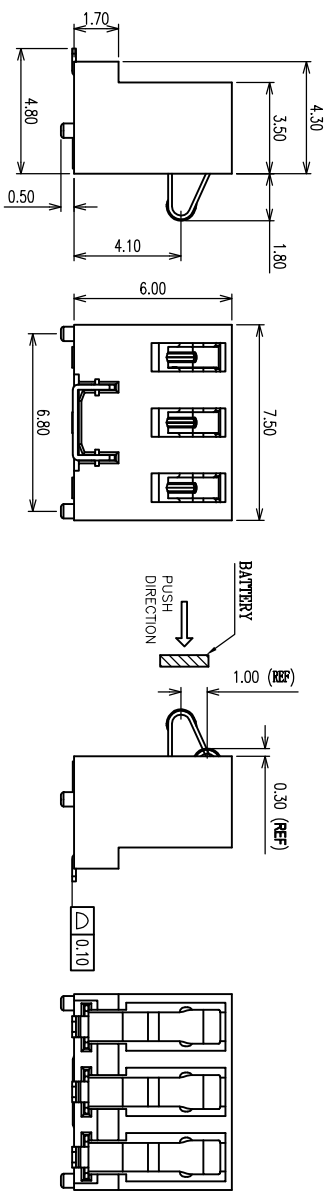


REV	ECON #	DESCRIPTION	DRAWING	APPROVED	DATE
A		NEW RELEASE	DEY1		2012/4/24



- NOTES:
- ELECTRICAL PERFORMANCES:
 - 1-1. RATING CURRENT: 2A
 - 1-2. RATING VOLTAGE: 100VAC
 - 1-3. CONTACT RESISTANCE: 50 Ω m
 - 1-4. INSULATION RESISTANCE: 1000 Ω M
 - 1-5. DIELECTRIC WITHSTANDING VOLTAGE: 500VAC FOR 1 MINUTE
 - MECHANICAL PERFORMANCE:
 - 2-1. DURABILITY: 5000TIMES
 - 2-2. NORMAL FORCE AT WORKING POSITION: 80gf Min.
 - 2-3. OPERATION TEMPERATURE: -40 ° C~+85 ° C.



PRODUCT NO.

BT05-03 A B 05-05

- ① ② ③ ④

PRODUCT SERIES:

- ① BT05: 3PIN BATTERY 2.5PITCH

- ② PIN NO.:

03: 3PIN

- ③ MATERIAL:

A: LCP

- ④ SERIES NO.:

05: 6.0H 有柱

CUSTOMER DRAWING		YTCONN		Dongguan YTCONN		Electronics Technology Co., Ltd.	
GENERAL TOLERANCE	DRAWING	DEY1	TITLE:	3PIN BATTERY CONNECTOR 2.5PITCH			
X. ±0.20	APPROVED		P/N:	BT05-03AB05-05			
.XX ±0.15	DATE	2015. 11. 26	DRAWING NO.	C-BT05-01			
.XXX ±0.10	UNIT	mm	SCALE	1:1	SIZE	A4	SHEET
ANGEL TOLERANCE							1 of 1
X. ±3°							REV
.XX ±2°							A
.XXX ±1°							