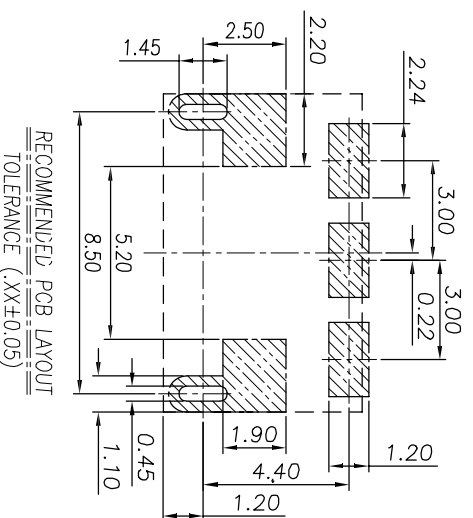
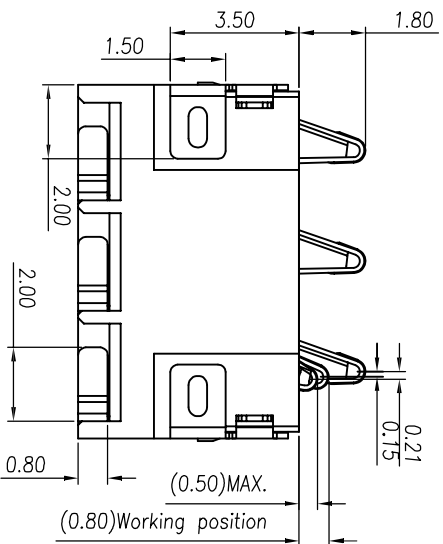
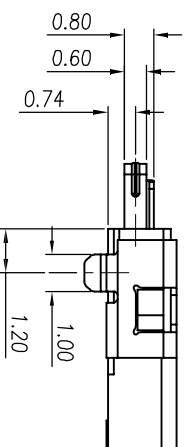
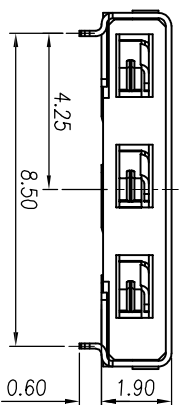
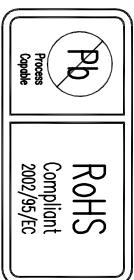
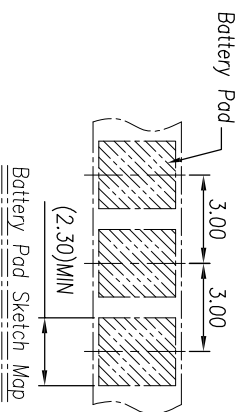


COPLANARITY(SHELL&Signal pin)



RECOMMENDED PCB LAYOUT  
TOLERANCE (.XXX±0.05)



REV	ECN #	DESCRIPTION	DRAWING	APPROVED	DATE
A		NEW RELEASE	DEY1		2012/4/24

- NOTES:
- MATERIAL
  - 1.1.HOUSING:THERMOPLASTIC,UL 94V-0 COLOR:BLACK
  - 1.2.CONTACT:COPPER ALLOY T=0.50
  - 1.3.CAP:THERMOPLASTIC,UL 94V-0 COLOR:BLACK
- 2.FINISH:
- 2.1.CONTACT:3U"GOLD PLATING ON CONTACT AREA 80U"MIN NICKEL UNDERPLATING OVER ALL

PRODUCT NO.

BT21-03 A B 05-01

① ② ③ ④

PRODUCT SERIES:

① BT21:3PIN BATTERY CONNECTORT 1.9H 3.0PITCH

② PIN NO. :

03: 3PIN

③ MATERIAL:

A: LCP

④ SERIES NO. :

01: 插板锡脚宽度1.0mm

<b>CUSTOMER DRAWING</b>		<b>YTCOON</b> <small>http://www.ytconn.com</small>		<b>Dongguan YTCOON Electronics Technology Co., Ltd.</b>	
GENERAL TOLERANCE		DRAWING	DEV1	TITLE: 3PIN BATTERY CONNECTORT 1.9H 3.0PITCH	
X	±0.20	APPROVED		P/N:	BT21-03AB05-01
.XX	±0.15	DATE	2012. 03. 08	DRAWING NO.	C-BT21-01
.XXX	±0.10	ANGEL TOLERANCE		UNIT	mm
X	±3°			SCALE	1:1
.XX	±2°			SIZE	A4
.XXX	±1°			SHEET	1 of 1
				REV	A