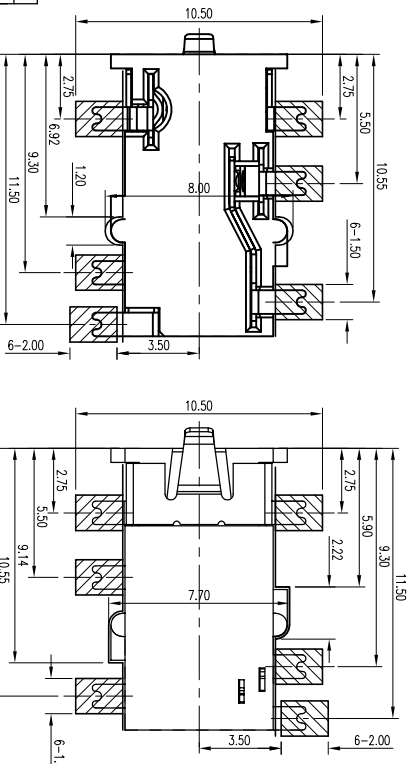
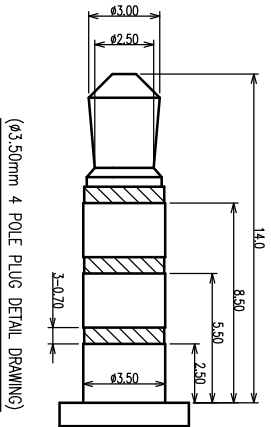
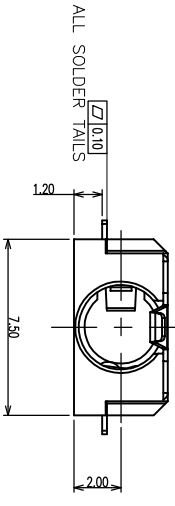
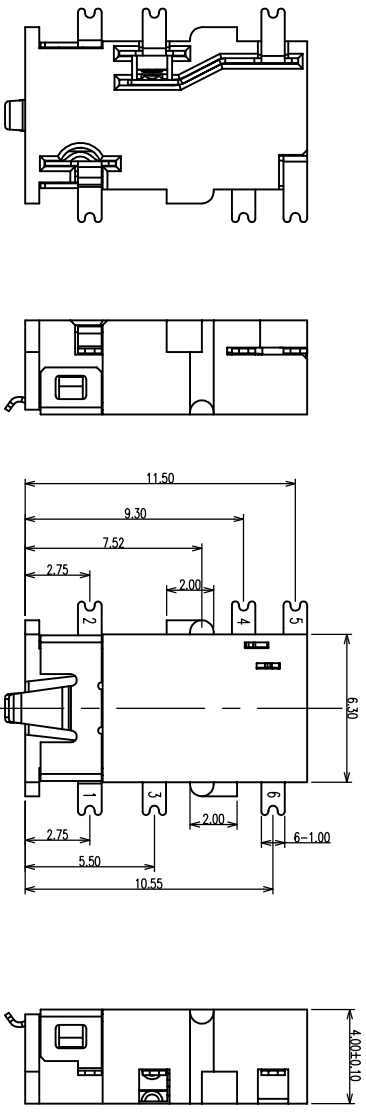
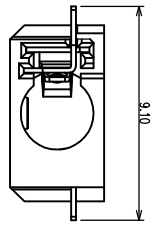


REV	ECH #	DESCRIPTION	DRAWING	APPROVED	DATE
A		NEW RELEASE	DEYI		2012/4/24
B			DEYI		2015/3/26



NO.	Part Name	QTY	Description	Plated/Color	Note
1	TERMINAL A	1	C5210R-H T=0.20mm	Plated Au	
2	TERMINAL B	1	C5210R-H T=0.20mm	Plated Au	
3	TERMINAL C	1	C5210R-H T=0.20mm	Plated Au	
4	TERMINAL D	1	C5210R-H T=0.20mm	Plated Au	
5	TERMINAL E	1	C5210R-H T=0.20mm	Plated Au	
6	TERMINAL F	1	C5210R-H T=0.20mm	Plated Au	
7	HOUSING	1	LCP+30%GF/PA6+40%F	Color: BLACK	(U-9W-0)

- NOTES :
- 1.0. RATING :
 - 1.1. VOLTAGE : 12 VAC (R.M.S.)
 - 1.2. CURRENT : 1 AMPERE MAXIMUM PER CONTACT AT 30°C T-RISE
 - 1.3. TEMPERATURE : -20°C TO +70°C
 - 2.0. ELECTRICAL CHARACTERISTIC :
 - 2.1. CONTACT RESISTANCE : 50 MILLIOHMS MAXIMUM INITIAL
 - 2.2. INSULATION RESISTANCE : 100 MEGOHMS MINIMUM
 - 2.3. DIELECTIC WITHSTANDING VOLTAGE : 500 VAC AT SEA LEVEL
 - 3.0. MATERIALS :
 - 3.1. CONTACT : COPPER ALLOY
 - 3.2. HOUSING : THERMOPLASTIC, GLASS FILLED, 130°C, UL 94V-0 RATED
 - 4.0. MECHANICAL :
 - 4.1. INSERTION FORCE(PER CONTACT) : 300~3000 GRAMS
 - 4.2. WITHDRAWAL FORCE(PER CONTACT) : 300~3000 GRAMS
 - 4.3. DURABILITY : MINIMUM: MATED 5000 TIMES WITHOUT DEGRADING
 - 4.4. CONTACT FORCE, MINIMUM: 80 GRAMS

PRODUCT NO.

PJ02-06 A B 07-0X

- ①
- ②
- ③
- ④

PRODUCT SERIES:

○ PJ02: PHONE JACK CONNECTOR slim type.

② PIN NO. :

04: 4PIN

③ MATERIAL:

A: LCP

④ SERIES NO.:

02: ∅3.5mm 无头 H=4.0mm, 正包装

04: ∅3.5mm 无头 H=4.0mm, 反包装

CUSTOMER DRAWING

YTCOON

Dongguan YTCOON Electronics Technology Co., Ltd.

GENERAL TOLERANCE	DRAWING	DEYI	TITLE:
X: ±0.20			PHONE JACK CONNECTOR SLIM TYPE
.XX: ±0.15	APPROVED		(无头)
.XXX: ±0.10			
ANGEL TOLERANCE	DATE	2014.05.05	P/N: PJ02-06AB07-0X
X: ±3°			DRAWING NO. C-PJ02-02
.XX: ±2°			
.XXX: ±1°			

UNIT	SCALE	SIZE	A4	SHEET	1of1	REV	B
mm	1:1	A4					