

REV	ECON #	DESCRIPTION	DRAWING	APPROVED	DATE
A		NEW RELEASE	DEV1		2012/05/25

- NOTES:
- CONTACT CURRENT RATING: 1A.
 - CONTACT RESISTANCE: 50 mΩ MAX.;
 - INSULATION RESISTANCE: 1000 Ω MIN.;
 - DIELECTRIC WITHSTANDING: 500V AC MIN.;
 - DURABILITY: 5,000 CYCLES MIN.;
 - CONNECTOR MATING FORCES: 29.4N (3.00kgf) MAX.;
 - CONNECTOR UNMATING FORCES: 2.94N(O.30kgf) MIN.;

PRODUCT NO.

PJ13-06 A B 05-00

- ①
- ②
- ③
- ④

① PRODUCT SERIES:

PJ13: PHONE JACK CONNECTOR slim 2.8mm type.

② PIN NO.:

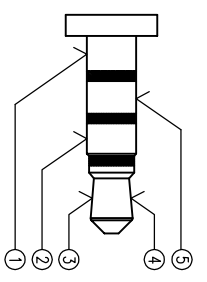
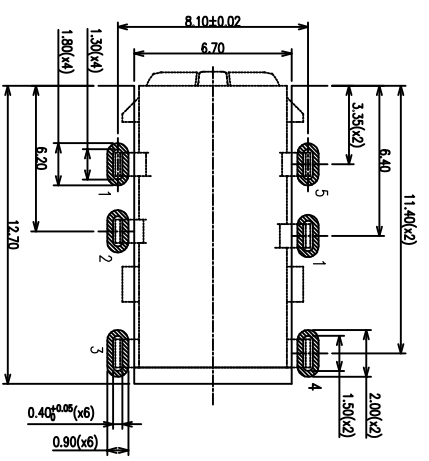
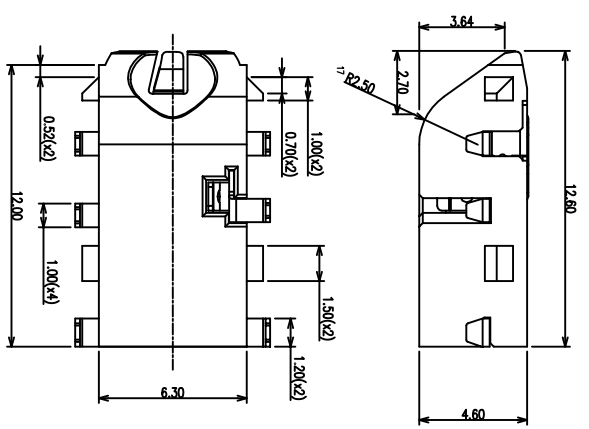
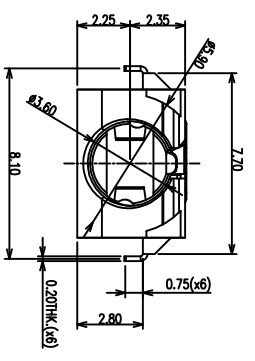
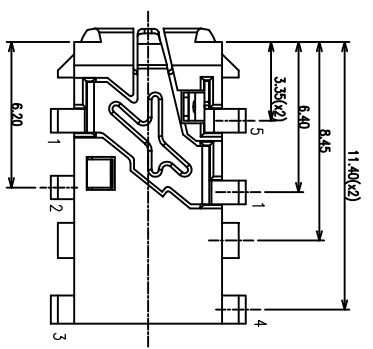
06: 6PIN

③ MATERIAL:

A: PA9T

④ SERIES NO.:

00: 斜口, 反插型



RECOMMENDED PCB LAYOUT
TOLERANCES ±0.05(TOP VIEW)

YTCOON

Dongguan YTCOON
Electronics Technology Co., Ltd

**CUSTOMER
DRAWING**

GENERAL TOLERANCE

X ±0.20
XX ±0.15
XXX ±0.10

DRAWING

DEV1

TITLE:
PHONE JACK CONNECTOR slim 2.8mm

APPROVED

P/N:

PJ13-06AB05-00

DATE

2012.05.25

DRAWING NO.
C-PJ13-00

ANGEL TOLERANCE
X ±5°
XX ±2°
XXX ±1°

UNIT mm

SCALE 1:1

SIZE A4

SHEET 1 of 1

REV A

REV A