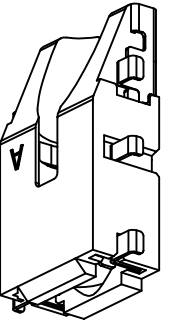
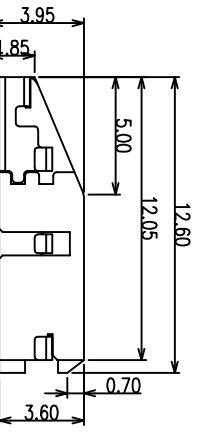
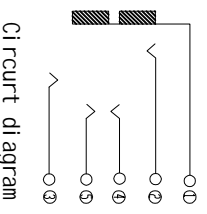
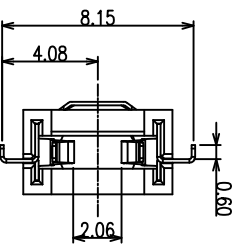
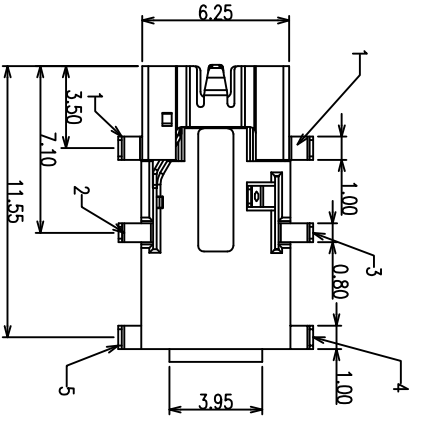
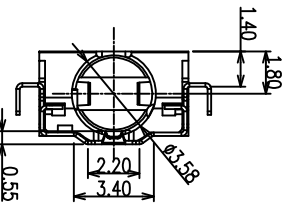


REV	ECN #	DESCRIPTION	DRAWING	APPROVED	DATE
A		NEW RELEASE	DEV1		2012/05/25



- NOTES:
1. CONTACT CURRENT RATING: 1A.
 2. CONTACT RESISTANCE: 50 mΩ MAX.;
 3. INSULATION RESISTANCE: 1000 Ω MIN.;
 4. DIELECTRIC WITHSTANDING: 500V AC MIN.;
 5. DURABILITY: 5,000 CYCLES MIN.;
 6. CONNECTOR MATING FORCES: 29.4N (3.00kgf) MAX.;
 7. CONNECTOR UNMATING FORCES: 2.94N(O.30kgf) MIN.;



PRODUCT NO. _____

PJ23-05 A B 03-03

① ② ③ ④

① PRODUCT SERIES:
PJ23: PHONE JACK CONNECTOR.

② PIN NO. :

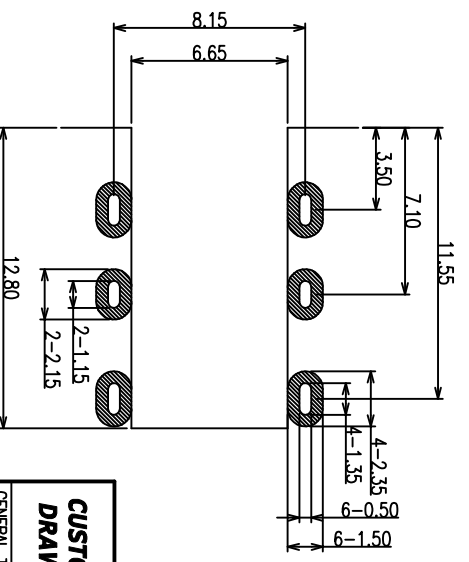
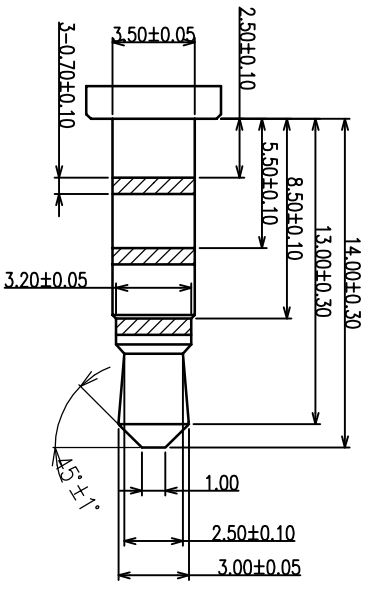
05: 5PIN

③ MATERIAL:

A: PA9T

④ SERIES NO. :

03:斜口,沉板2.2H



RECOMMENDED PCB LAYOUT
TOLERANCES ±0.05(TOP VIEW)

PLUG SPEC

CUSTOMER DRAWING		YTCONN		Dongguan YTCONN Electronics Technology Co., Ltd.	
GENERAL TOLERANCE	DRAWING	DEV1	TITLE:	PHONE JACK CONNECTOR沉板2.2H斜口	
X ±0.20	APPROVED		P/N:	PJ23-05AB03-03	
.XX ±0.15	DATE	2014.04.07	DRAWING NO.	C-PJ23-03	
.XXX ±0.10	UNIT	mm	SCALE	1:1	SIZE A4
ANGEL TOLERANCE			SHEET	1of1	REV A
X ±.5°					
.XX ±.2°					
.XXX ±1°					