

REV	ECN #	DESCRIPTION	DRAWING	APPROVED	DATE
E		更新图面			2012/04/26

NOTES:

1.MATERIAL:

- 1.1.HOUSING: Thermoplastic UL94V-0,BLACK
- 1.2.CONTACT: COPPER ALLOY BeCu Au PLATED OVER NICKEL PLATED
- 1.3.PAD: All Sn PLATED

2.MECHANICAL PERFORMANCES:

- 2.1.NORMAL FORCE AT MATED POSITION :70g MIN.
- PLEASE SEE LEFT GUIDE DRAWING.

PRODUCT NO.

BT07-03 A B 10-00

① ② ③ ④

PRODUCT SERIES:

① BT07: 电池连接器

② PIN NO. :

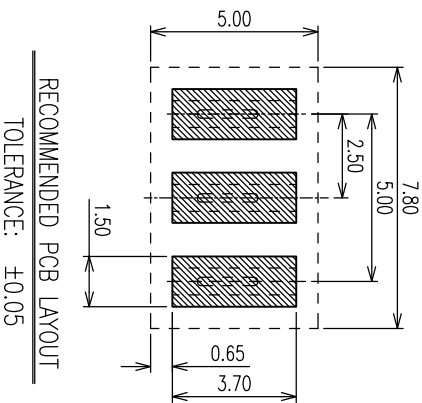
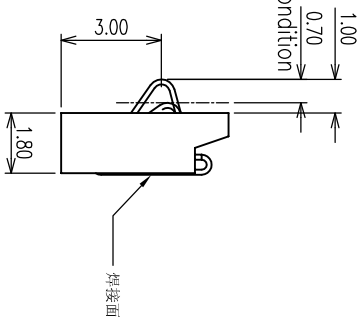
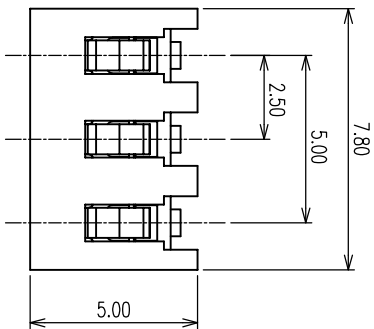
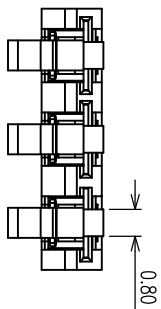
03: 3PIN

③ MATERIAL:

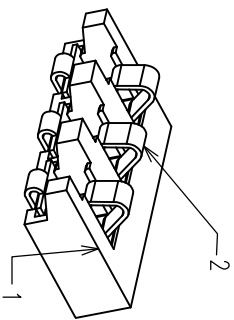
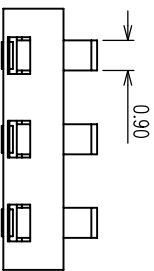
A: LCP

④ SERIES NO. :

00: 1.8H 卧式电池连接器



RECOMMENDED PCB LAYOUT
TOLERANCE: ±0.05



ITEM	NAME	Q' /TV /EACH	MATERIAL /FINI SHED	REMARK
2	CONTACT	3	COPPER ALLOY	
1	HOUSING	1	THERMOPLASTIC, BLACK	

YTCOON
Dongguan YTCOON
Electronics Technology Co., Ltd.

CUSTOMER DRAWING
DRAWING DEVT
TITLE: 3PIN 1.8H 卧式电池连接器

GENERAL TOLERANCE
X ±0.20
XX ±0.15
XXX ±0.10

APPROVED
DATE: 2012. 04. 26
P/N: BT07-03AB10-00
DRAWING NO. C-BT07-00

ANGEL TOLERANCE
X ±3°
XX ±2°
XXX ±1°

UNIT mm SCALE 1:1 SIZE A4 SHEET 1 of 1 REV A