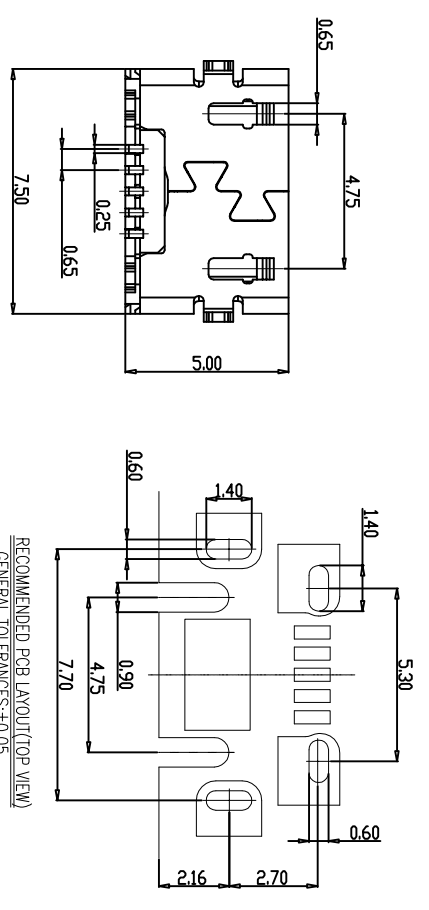
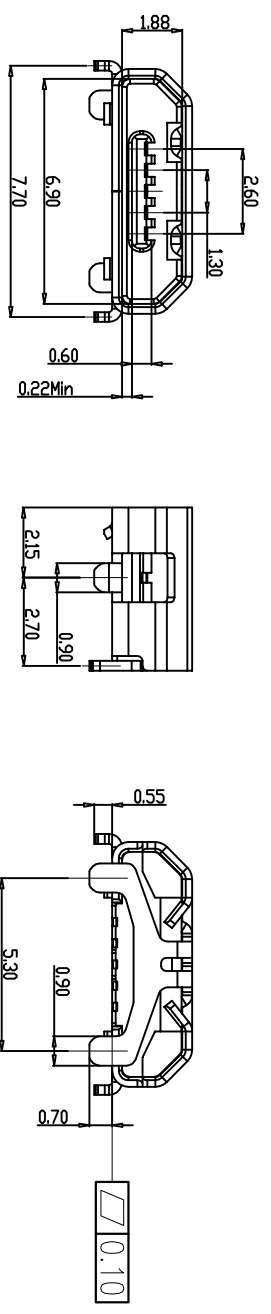
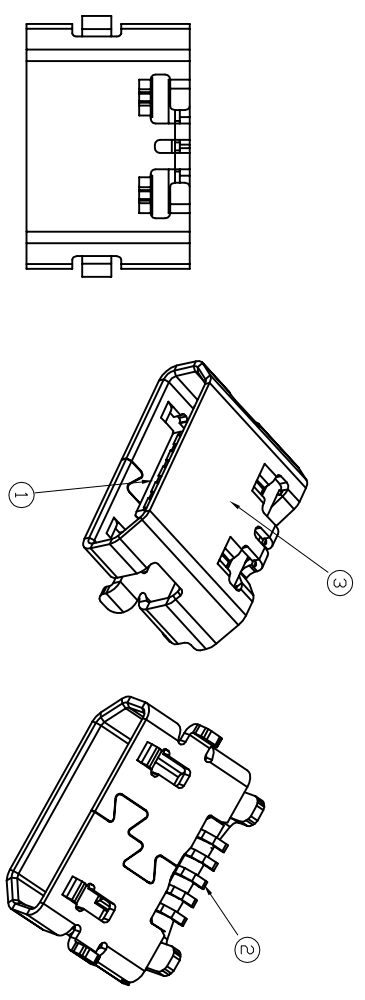


REV	ECH #	DESCRIPTION	DRAWING	APPROVED	DATE
A		NEW RELEASE	DEY1		2012.11.05



NOTES:
 SPECIFICATION:
 1.1 CURRENT RATING: 1.0A MAX
 1.2 VOLTAGE: 100 VAC
 1.3 TEMPERATURE RANGE: -30 °C ~ 85 °C
 1.4 CONTACT RESISTANCE: 30 MILLIONHM MAX
 1.5 DIELECTRIC WITHSTANDING VOLTAGE: 200 VAC r.m.s
 1.6 INSULATION RESISTANCE: 100 MEGOHMS MIN.

PRODUCT NO.

MU15 - 05 A B 05 -00

① ② ③ ④

① 产品系列:

MU15: 反向MICRO USB 连接器

② 产品PIN数:

05: 5PIN

③ 主体材质:

A: PA9T

④ SERIES NO.:

00: 反向全插式四面无翻边

3	SHELL	STAINLESS STEEL MATE T=0.30mm	TIN/NI Plated	1PCS
2	CONTACT	COPPER ALLOY T=0.15mm	Au/NI Plated	1SET
1	HOUSING	High temperature plastic	BLACK	1PCS
NO.	DESCRIPTION	MATERIAL	REMARKS	QTY

YTCOONN
 Dongguan YTCOONN
 Electronics Technology Co., Ltd

CUSTOMER DRAWING		YTCOONN	
GENERAL TOLERANCE	DRAWING	DEV1	TITLE:
X ±0.20	APPROVED		MICRO USB SP DIP TYPE
XX ±0.15	DATE	2015.04.15	反向全插式四面无翻边
XXX ±0.10	UNIT	mm	
ANGEL TOLERANCE	SCALE	1:1	
X ±3°	SIZE	A4	
XX ±2°	SHEET	1of1	
XXX ±1°	SHEET	1of1	
	REV	A	

DRAWING NO.		C-MU15-00	
P/N:		MU15-05AB05-00	