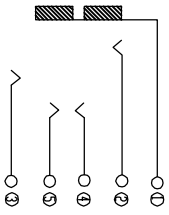
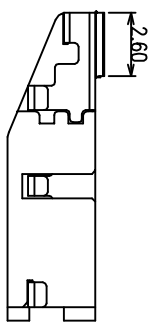
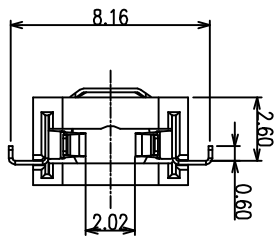
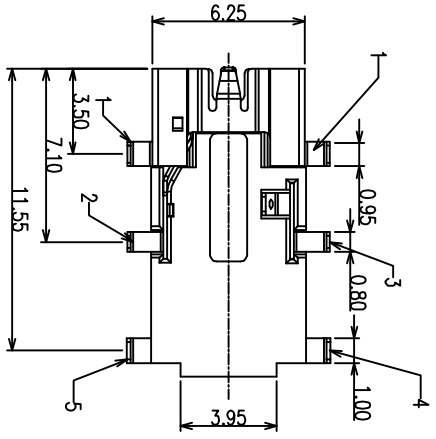
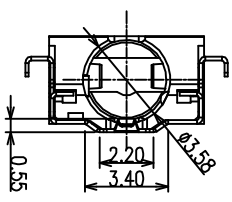
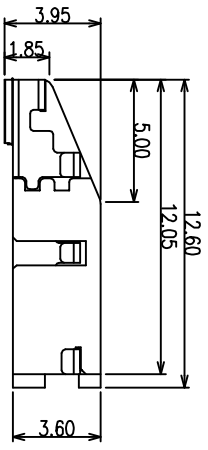
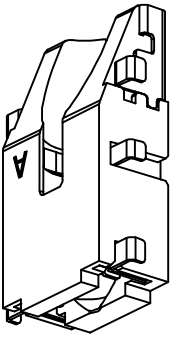


REV	ECN #	DESCRIPTION	DRAWING	APPROVED	DATE
A		NEW RELEASE	DE11		2012/05/25



Circuit diagram

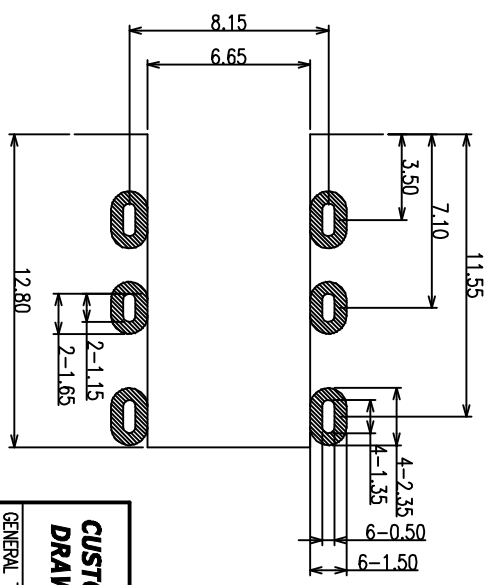
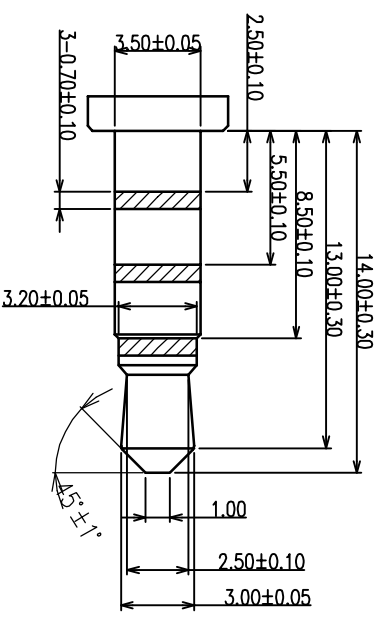
- NOTES:
1. CONTACT CURRENT RATING: 1A.
 2. CONTACT RESISTANCE: 50 mΩ MAX. ;
 3. INSULATION RESISTANCE: 1000Ω MIN. ;
 4. DIELECTRIC WITHSTANDING: 500V AC MIN. ;
 5. DURABILITY: 5,000 CYCLES MIN. ;
 6. CONNECTOR MATING FORCES: 29.4N (3.00kgf) MAX. ;
 7. CONNECTOR UNMATING FORCES: 2.94N(0.30kgf) MIN. ;

PRODUCT NO.

PJ23-05 A B 03-09

- ① ② ③ ④

- ① PRODUCT SERIES: PJ23: PHONE JACK CONNECTOR.
- ② PIN NO. :
- 05: 5PIN
- ③ MATERIAL: A: PA9T
- ④ SERIES NO. :
- 09: 斜口, 正向沉板2.6H



RECOMMENDED PCB LAYOUT
 TOLERANCES ±0.05(TOP VIEW)

PLUG SPEC

CUSTOMER DRAWING		YTCONN Dongguan YTCONN Electronics Technology Co., Ltd	
GENERAL TOLERANCE	DRAWING	DEV1	TITLE:
X ±0.20	DATE	2016. 10. 20	PHONE JACK CONNECTOR沉板2.6H斜口
XX ±0.15	APPROVED		P/N:
XXX ±0.10	DATE	2016. 10. 20	PJ23-05AB03-09
ANGEL TOLERANCE	UNIT	mm	DRAWING NO.
X ±3°	SCALE	1:1	C-PJ23-09
XX ±2°	SIZE	A4	SHEET
XXX ±1°	SHEET	1 of 1	REV
	REV	A	