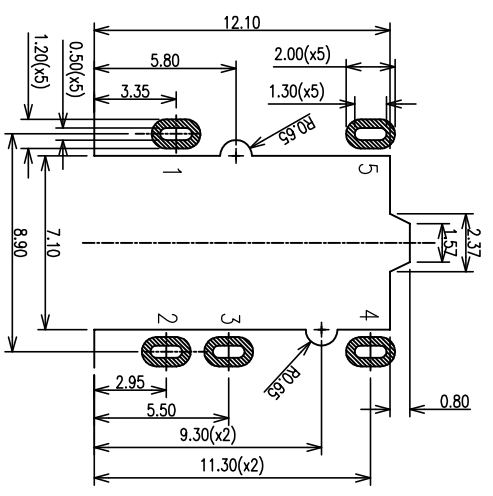


REV	ECN #	DESCRIPTION	DRAWING	APPROVED	DATE
A		NEW RELEASE	DEV1		2012/05/25

- NOTES:
1. MATERIAL: SEE TABLE A
 2. PACKAGE: TAPE&REEL

PRODUCT NO. _____

- PJ26-06 A B 03-00
- ① PRODUCT SERIES:
PJ26: PHONE JACK CONNECTOR
- ② PIN NO.:
05: 5PIN
- ③ MATERIAL:
A: LCP
- ④ SERIES NO.:
00: 沉板2.15mm



RECOMMENDED PCB LAYOUT
TOLERANCES ±0.05(TOP VIEW)

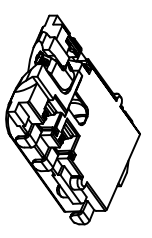
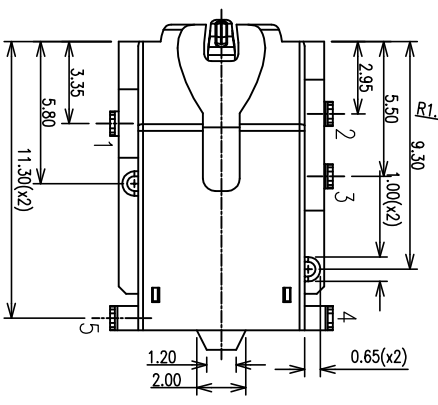
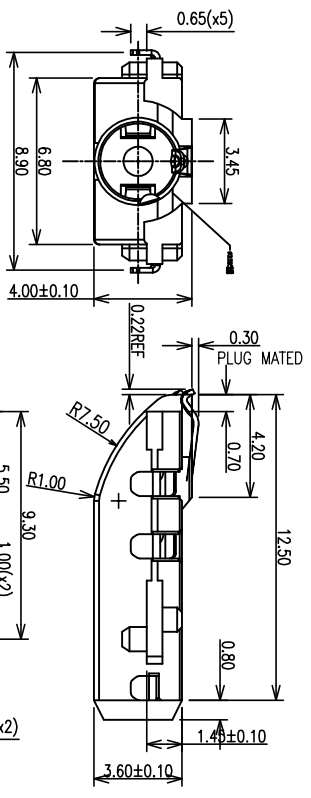
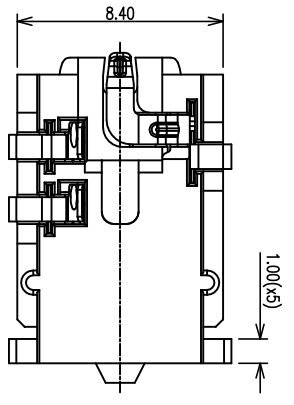


TABLE A:

ITEM	NAME	QTY	MATERIAL / FINISH
6	HOUSING	1	HIGH TEMPERATURE UL 94-V0 BLACK
5	CONTACT 5	1	COPPER ALLOY/CONTACT AREA GOLD PLATED
4	CONTACT 4	1	COPPER ALLOY/CONTACT AREA GOLD PLATED
3	CONTACT 3	1	COPPER ALLOY/CONTACT AREA GOLD PLATED
2	CONTACT 2	1	COPPER ALLOY/CONTACT AREA GOLD PLATED
1	CONTACT 1	1	COPPER ALLOY/CONTACT AREA GOLD PLATED

YTCOON
Dongguan YTCOON
Electronics Technology Co., Ltd

CUSTOMER DRAWING

GENERAL TOLERANCE

X ±0.20
.XX ±0.15
.XXX ±0.10

TITLE: 3.6H斜口沉板2.15耳机座, DIP TYPE

DRAWING DEVI

APPROVED

P/N: PJ26-05AB03-00

DATE: 2013.11.08

DRAWING NO.: C-PJ26-00

ANGEL TOLERANCE

X ±5°
.XX ±2°
.XXX ±1°

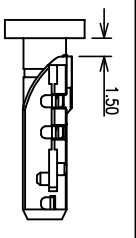
UNIT: mm

SCALE: 1:1

SIZE: A4

SHEET: 1 of 1

REV: A



PLUG MATED DIMENSION

