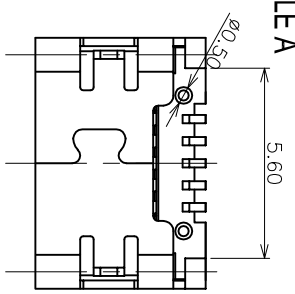
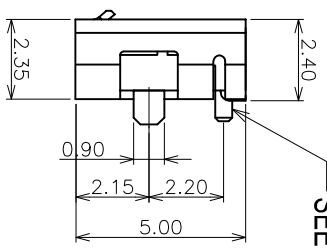
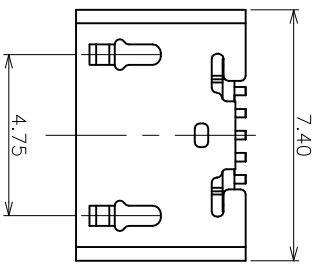
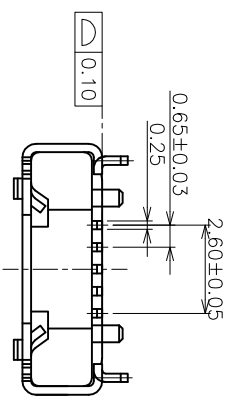
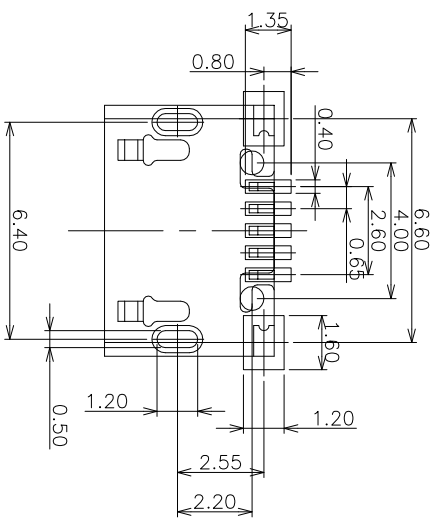
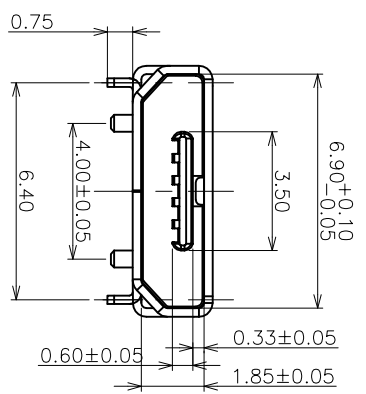


REV	ECN #	DESCRIPTION	DRAWING	APPROVED	DATE
A		NEW RELEASE	DEV1		2012.04.26



SEE TABLE A



RECOMMENDED PCB LAYOUT(TOP VIEW)
GENERAL TOLERANCES:±0.05

- NOTES:
- MATERIAL:
A. PIN&SHELL: ALLOY COPPER
B. INSULATOR: HIGH TEMPERATURE THERMOPLASTICS UL94V-0, BLACK.
 - ELECTRICAL SPECIFICATIONS:
VOLTAGE RATING: 250 VAC MIN
CURRENT RATING: 2.0 A MIN
DIELECTRIC STRENGTH: 100 VAC FOR 1 MINUTE MIN
INSULATION RESISTANCE: 100 MEG OHM MIN
CONTACT RESISTANCE: 100 MILL OHM MAX
OPERATION TEMPERATURE: -55±0 TO +125±0
 - MECHANICAL SPECIFICATIONS:
3.1 DURABILITY: 5,000 CYCLES
 - THE DIMENSION MARKED NO. SHOULD BE CHECKED IN PRODUCTION.
 - MATERIAL SHOULD BE FULFILLED ROHS REQUIREMENTS.

PRODUCT NO.

MT05 - 05 A B 05 - 17

① ② ③ ④

- ① 产品系列: MT05: MICRO USB 连接器
- ② 产品PIN数: 05: 5PIN
- ③ 主体材质: A: LCP
- ④ SERIES NO.: 17: 6.4mm间距, 无翻边, 有定位柱

TABLE A:

ITEM	NAME	Q'TY/EACH	MATERIAL/FINISHED	REMARK
3	SHELL	1	ALL Tin PLATED	
2	HOUSING	1	Thermoplastic UL94V-0, BLACK	
1	CONTACT	5	Au PLATED OVER Sn PLATED	

CUSTOMER DRAWING

YTCONN
Dongguan YTCONN
Electronics Technology Co., Ltd.

GENERAL TOLERANCE	DRAWING	DEVTI	TITLE
X ±0.20	APPROVED		MICRO USB 5PIN CONNECTOR
XX ±0.15			DIP TYPE
XXX ±0.10			

GENERAL TOLERANCE	DATE	DRAWING NO.
X ±3	2012. 04. 26	C-MU05-17
XX ±2		
XXX ±1		

UNIT	SCALE	SIZE	A4 SHEET	10f1 REV
mm	1:1	A4	SHEET	10f1 REV A