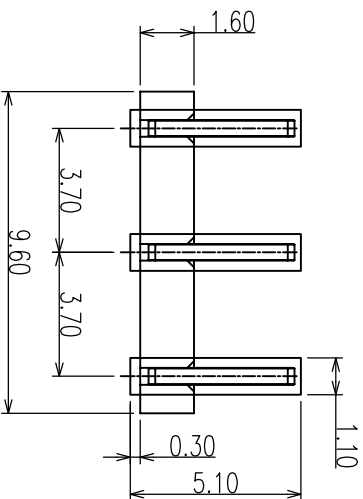
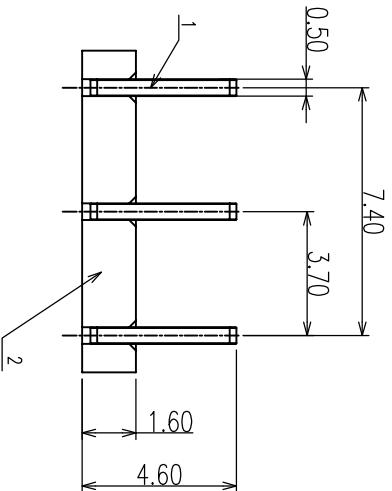
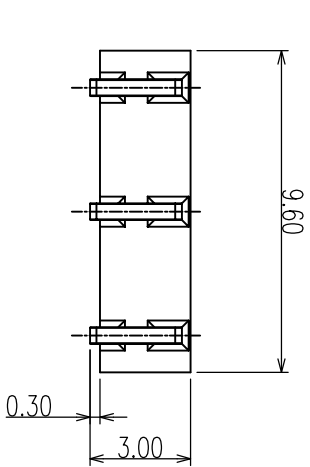


REV	ECN #	DESCRIPTION	DRAWING	APPROVED	DATE
A		NEW RELEASE	DEV1		2012/4/24

NOTES:

1. MATERIAL
- 1.1. HOUSING: THERMOPLASTIC, UL 94V-0 COLOR: BLACK
- 1.2. CONTACT: COPPER ALLOY T=0.50
- 1.3. CAP: THERMOPLASTIC, UL 94V-0 COLOR: BLACK
2. FINISH:
- 2.1. CONTACT: 3U" GOLD PLATING ON CONTACT AREA
- 80U" MIN NICKEL UNDERPLATING OVER ALL



RECOMMENDED PCB LAYOUT
TOLERANCE: ±0.05

TABLE A :

项目	名称	数量/套	MATERIAL/FINISHED	REMARK
2	端子	3	COPPER ALLOY Au PLATED OVER NICKEL PLATED	
1	胶芯	1	Thermoplastic UL94V-0, BLACK	

YTCOON
<http://www.ytconn.com>

Dongguan YTCOON
Electronics Technology Co., Ltd.

CUSTOMER DRAWING

GENERAL TOLERANCE

X ±0.20
XX ±0.15
XXX ±0.10

DRAWING

DEV1

TITLE: 3PIN 刀式 电池连接器
(NOKIA 8600)

APPROVED

P/N:

BT09-03AB10-00

DATE

2012. 04. 24

DRAWING NO. C-BT09-00

ANGLE TOLERANCE

X ±3°
XX ±2°
XXX ±1°



UNIT mm

SCALE 1:1

SIZE A4

SHEET 1 of 1

REV A

PRODUCT NO.

BT09-03 A B 10-00

① ② ③ ④

PRODUCT SERIES:

① BT09: 3pin 刀式 电池连接器

② PIN NO.:

03: 3PIN

③ MATERIAL:

A: LCP

④ SERIES NO.:

00: NOKIA 8600 电池座