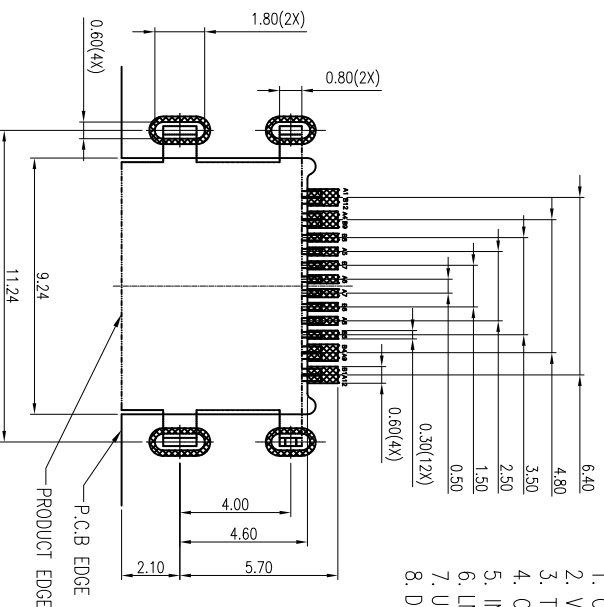
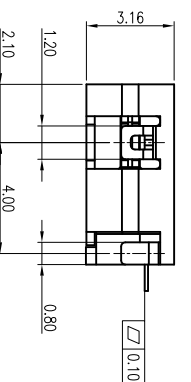
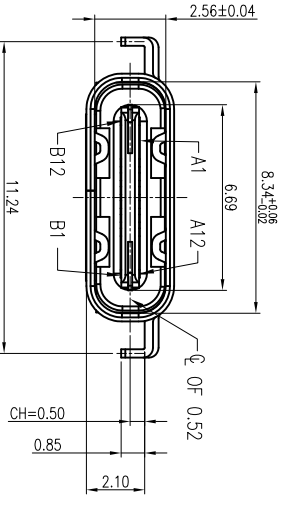
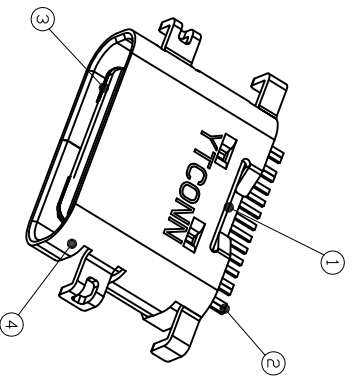
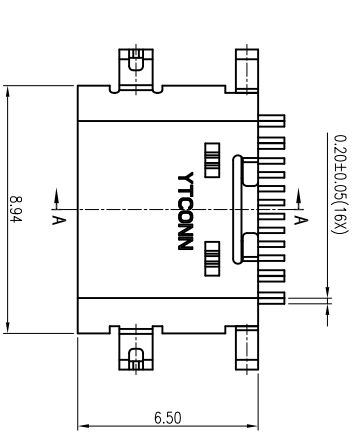




REV	ECN #	DESCRIPTION	DRAWING	APPROVED	DATE
A		NEW RELEASE	DEYI		2012/06/28



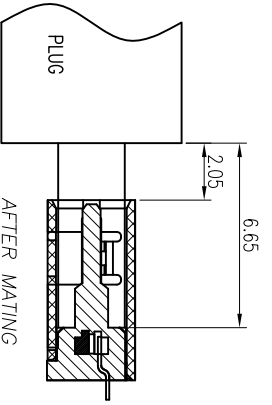
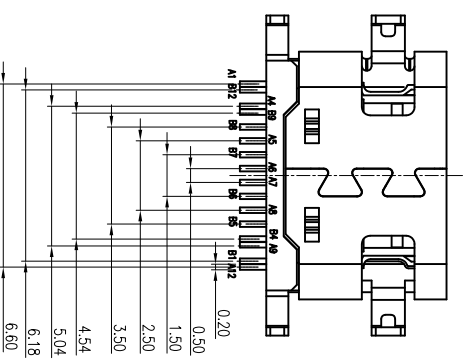
- NOTES:
SPECIFICATION:
- CURRENT RATING: 3.0A MAX
 - VOLTAGE: 100 VAC
 - TEMPERATURE RANGE: -30 °C ~ 85 °C
 - CONTACT RESISTANCE: 40 MILLIONHM MAX
 - INSULATION RESISTANCE: 100 MEGOHMS MIN.
 - INSERTION FORCE : 5N~20N
 - UNMATING FORCE: 8N~20N
 - DURABILITY: 10,000 CYCLES

PRODUCT NO.

UC01 - 16 C B 05 - 01

- ① 产品系列:
- UC01 : USB TYPE C REC L=6.50
- ② 产品PIN数:
- 16: 16PIN
- ③ 材质:
- C: LCP
- ④ 颜色码:
- B: BLACK
- ⑤ 电镀规格码:
- 05: 半金雾锡"U"
- ⑥ 产品流水码:
- 01: 沉板2.10

RECOMMENDED PCB LAYOUT(TOP VIEW)
THICKNESS:0.80MM;DEFAULT TOLERANCE:±0.05



A1	B12	GND	
A4	B9	VBUS	
A5	B8	SBU2	
A6	B7	DN2	
A7	B6	DP2	
A8	B5	CC2	
A9	B4	VBUS	
A12	B1	GND	
PIN	SIGNAL NAME	PIN	SIGNAL NAME

NO.	DESCRIPTION	MATERIAL	REMARKS	QTY
4	FRONT SHELL	STAINLESS STEEL	Ni 30u" MIN. UNDER PLATED OVER ALL	1PCS
3	MID PLATE	COPPER ALLOY	CLEAR ONLY	1PCS
2	CONTACTS	COPPER ALLOY	Au/Ni Plated	1SET
1	HOUSING	HIGH TEMPERATURE PLASTIC	BLACK	1PCS

CUSTOMER DRAWING

YTCOMM
http://www.hnytc.com

Dongguan YTCOMM Electronics Technology Co., Ltd

GENERAL TOLERANCE: X, X ±0.20, XX ±0.15, XXX ±0.10

ANGEL TOLERANCE: X, ±3°, XX ±2°, XXX ±1°

DRAWING: DEYI

APPROVED: [Signature]

P/N: UC01-16CB05-01

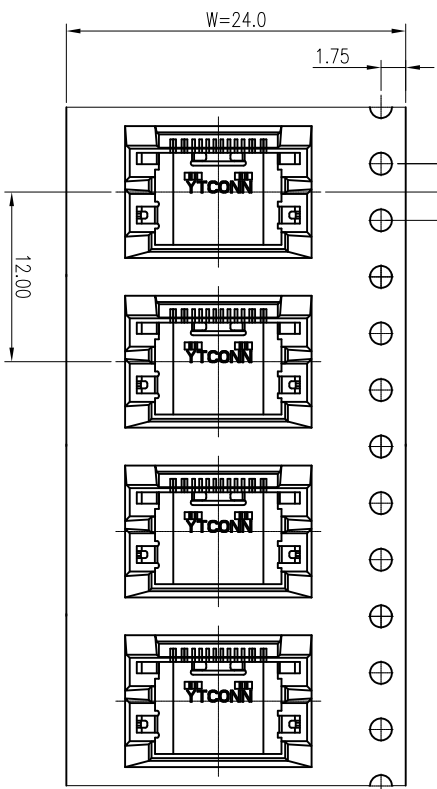
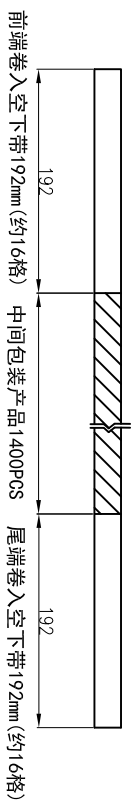
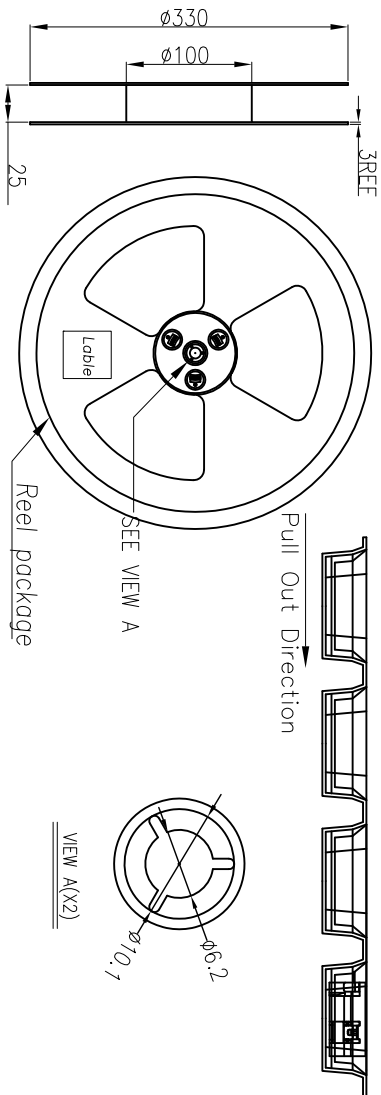
DATE: 2017. 10. 18

DRAWING NO.: C-UC01-01

UNIT	SCALE	SIZE	A4	SHEET	1of1	REV	A
mm	1:1	101	101	101	101	A	

Packing Notes :

1. Reel : 1400pcs/ Reel.
2. Carton : 23800pcs/ 17 Reel/ Carton.

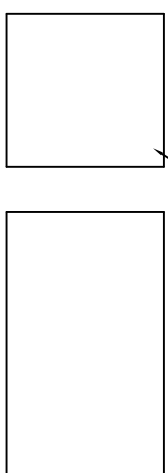


Pull Out Direction

REV	ECN #	DESCRIPTION	DRAWING	APPROVED	DATE
A		NEW RELEASE	DEF1		

- 1) 用TAPE将纸箱封实.
- 2) 将标签贴于纸箱侧.

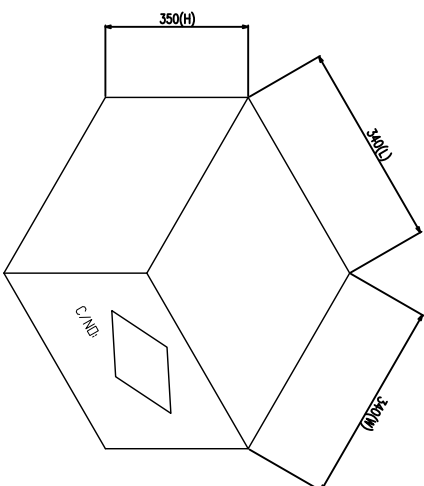
标签黏贴处



备注

(REMARK)

- 1). 若有未装满之零数箱, 必须以缓冲材塞满.
- 2). 在搬运过程中要轻拿轻放.
- 3). 在运输中不可堆放过多, 不可有重压现象.
- 4). 上带在黏贴下带时必须平整, 且黏贴处不要出现气泡.



CUSTOMER DRAWING		YTCOIN		Dongguan YTCOIN Electronics Technology Co., Ltd.	
GENERAL TOLERANCE	DRAWING	TITLE:	USB TYPE C REC 16PIN (I=6, 5) 包装图		
X. ±0.20	Jiang				
XX ±0.15	APPROVED	P/N:	UC01-16CB05-01		
.XXX ±0.10		DRAWING NO.	P-UC01-01		
ANGEL TOLERANCE	DATE				
X. ±3°	2018.11.15				
XX ±2°					
.XXX ±1°					
	UNIT	SCALE	SIZE	SHEET	REV
	mm	1:1	A4	1 of 1	A