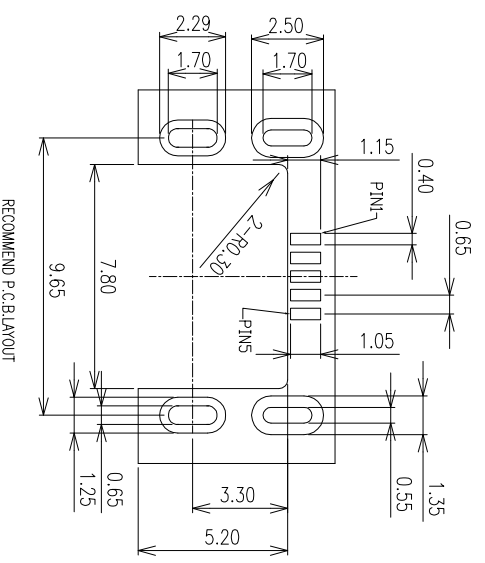
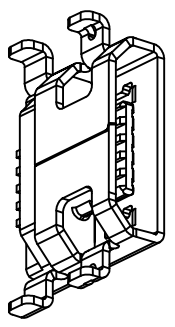
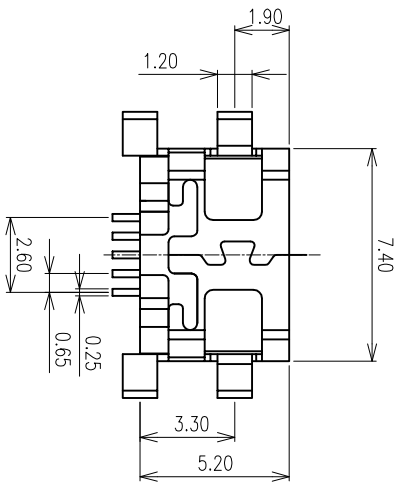
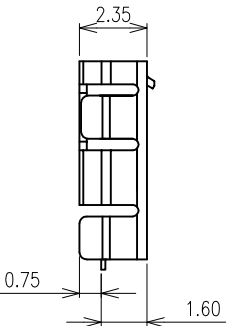
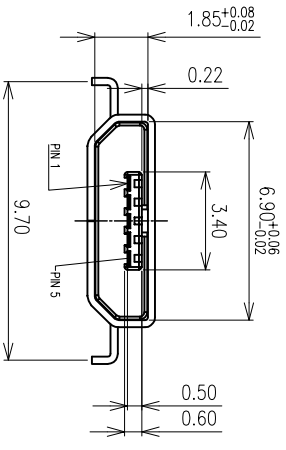
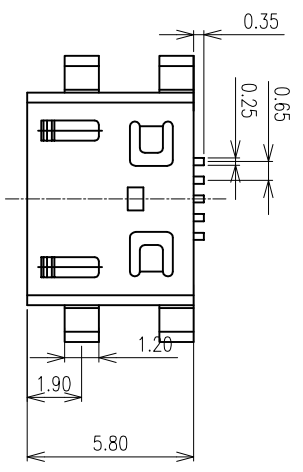


REV	ECN #	DESCRIPTION	DRAWING	APPROVED	DATE
A		NEW RELEASE	DEV1		2012.12.07



RECOMMEND P.C.B.LAYOUT

- NOTES:
- MATERIAL:
 - 1.1 HOUSING: THERMOPLASTIC FLAMMABILITY RATING UL94V-0
 - 1.2 CONTACT: COPPER ALLOY T=0.15mm
 - 1.3 SHELL: STAINLESS STEEL T=0.30mm
 - FINISH:
 - 2.1 CONTACT: 3u" MIN. PLATED ON CONTACT AREA G/F PLATING ON SOLDER TAIL AREA 50~80u" NICKEL UNDERPLATING OVERALL
 - 2.2 SHELL: 80~120u" MATTER TIN PLATING ALL 50~80u" NICKEL UNDERPLATING OVERALL
 - SPECIFICATION:
 - 3.1 CURRENT RATING: 0.5A(2.34CONTACT)/1.8A(1.5CONTACT) MAX.
 - 3.2 VOLTAGE: 30 VAC
 - 3.3 TEMPERATURE RANGE: -30 °C ~ 85 °C
 - 3.4 CONTACT RESISTANCE: 30 MILLIONHM MAX.
 - 3.5 DIELECTRIC WITHSTANDING VOLTAGE: 250 VAC r.m.s
 - 3.6 INSULATION RESISTANCE: 100 MEGOHMS MIN

PRODUCT NO.

MU08 - 05 A B 03 - 02

① ② ③ ④

① 产品系列:

MU08: MICRO USB 连接器

② 产品PIN数:

05: 5P1IN

③ 材质:

A: LCP

④ 产品流水码:

02: 外壳四脚全插, 无翻边

CUSTOMER DRAWING		YTCONN http://www.hnvtconn.com	
GENERAL TOLERANCE	DRAWING	DEV1	TITLE
X ±0.20	APPROVED		MICRO USB 5P沉板0.8 全插型
XX ±0.15	DATE	2012. 12. 07	P/N:
XXX ±0.10	UNIT	mm	MU08-05AB03-02
ANGEL TOLERANCE	SCALE	1:1	DRAWING NO.
X ±3°	SIZE	A4	C-MU08-02
XX ±2°	SHEET	1 of 1	REV
XXX ±1°	REV	A	