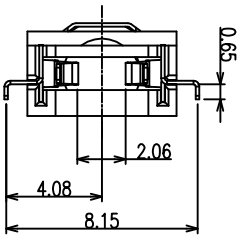
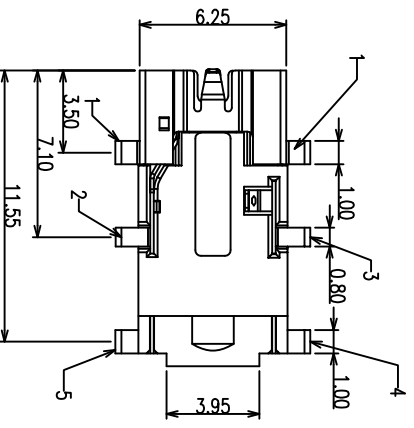
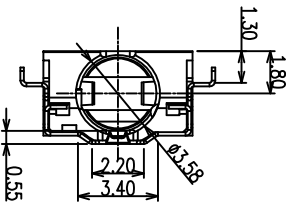
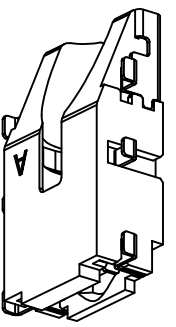
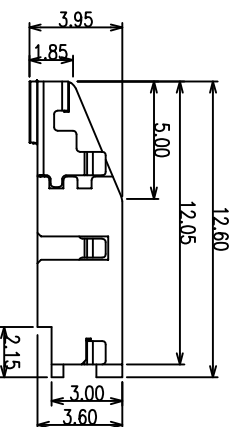


REV	ECON #	DESCRIPTION	DRAWING	APPROVED	DATE
A		NEW RELEASE	DEV1		2012/05/25



- NOTES:
- CONTACT CURRENT RATING: 1A.
 - CONTACT RESISTANCE: 50 mΩ MAX.;
 - INSULATION RESISTANCE: 1000Ω MIN.;
 - DIELECTRIC WITHSTANDING: 500V AC MIN.;
 - DURABILITY: 5,000 CYCLES MIN.;
 - CONNECTOR MATING FORCES: 29.4N (3.00KGF) MAX.;
 - CONNECTOR UNMATING FORCES: 2.94N(0.30KGF) MIN.;

PRODUCT NO.

PJ23-05 A B 03-04

① ② ③ ④

① PRODUCT SERIES:

PJ23: PHONE JACK CONNECTOR.

② PIN NO.:

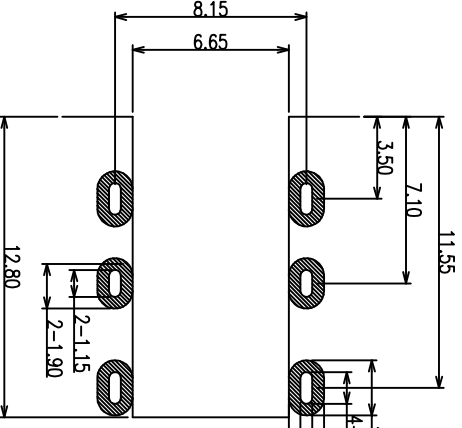
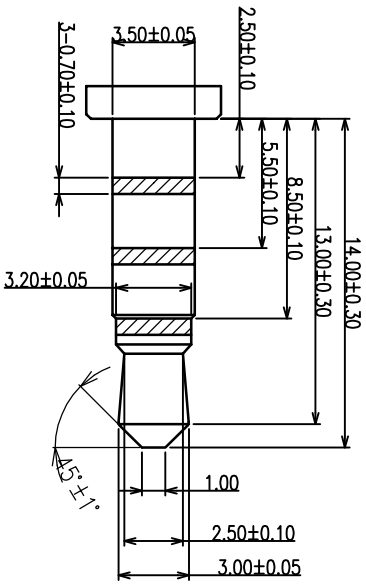
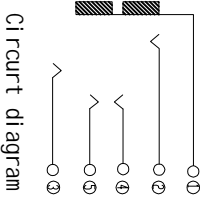
05: 5PIN

③ MATERIAL:

A: PA9T

④ SERIES NO.:

04:斜口, 反向沉板1.3H



RECOMMENDED PCB LAYOUT
TOLERANCES ±0.05(TOP VIEW)

PLUG SPEC

CUSTOMER DRAWING		YTCONN		Dongguan YTCONN Electronics Technology Co., Ltd.	
GENERAL TOLERANCE	DRAWING	DEV1	TITLE:	PHONE JACK CONNECTOR反向沉板1.3H斜口	
X ±0.20	APPROVED		P/N:	PJ23-05AB03-04	
.XX ±0.15	DATE	2014.06.16	DRAWING NO.	C-PJ23-04	
.XXX ±0.10	UNIT	mm	SCALE	1:1	SIZE A4
ANGEL TOLERANCE			SHEET	1of1	REV A
X ±5°					
.XX ±2°					
.XXX ±1°					