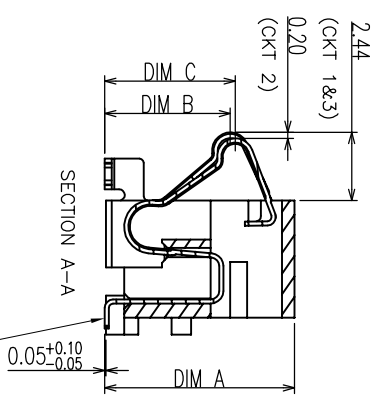
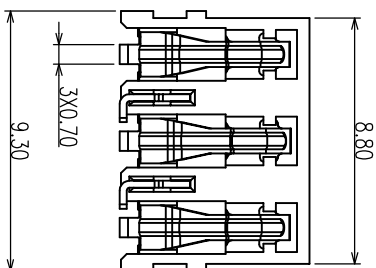
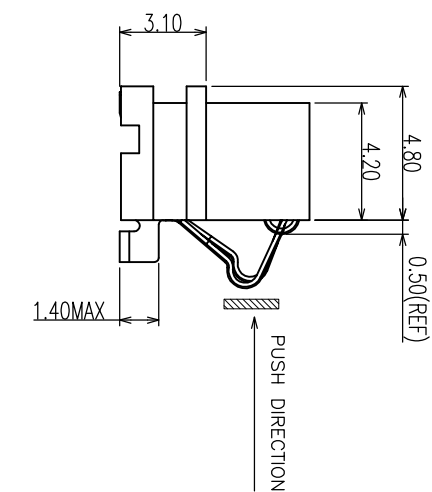
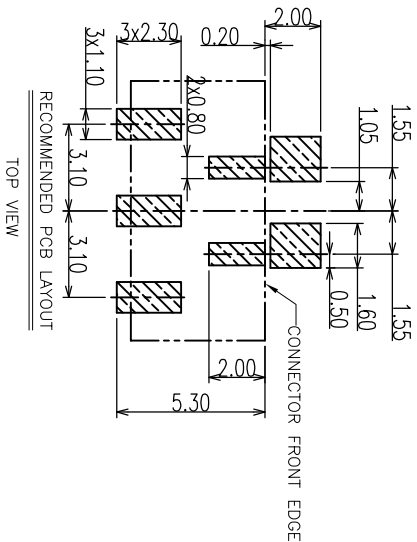
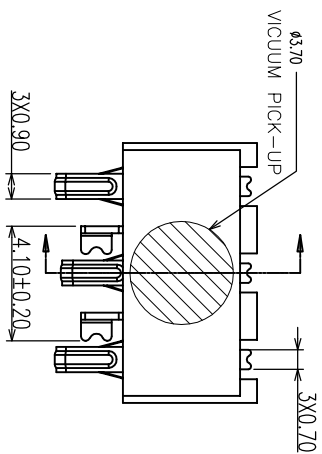
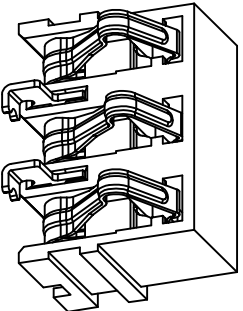
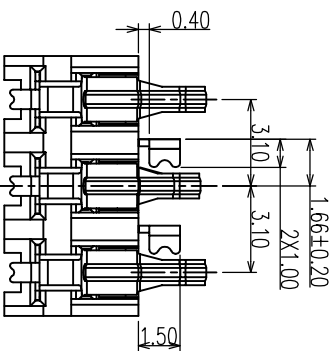


REV	ECN #	DESCRIPTION	DRAWING	APPROVED	DATE
A		NEW RELEASE	DEV1		2012/4/24



COPLANARITY IS MAX 0.10mm

MATTER	RoHS (PPM)
Cd	≤100
Pb	≤1000
Hg	≤1000
Cr6+	≤1000
PBB	≤1000
PBDE	≤1000



NOTES:

1. MATERIAL
- 1.1. HOUSING: THERMOPLASTIC, UL 94V-0 COLOR: BLACK
- 1.2. CONTACT: COPPER ALLOY T=0.50
- 1.3. CAP: THERMOPLASTIC, UL 94V-0 COLOR: BLACK
2. FINISH:
- 2.1. CONTACT: 3U" GOLD PLATING ON CONTACT AREA
- 80U" MIN NICKEL UNDERPLATING OVER ALL

PRODUCT NO. _____
 PRODUCT SERIES: ① ② ③ ④

- ① BT12: BATTERY CONNECTOR
- ② PIN NO.: 08: 8PIN
- ③ MATERIAL: A: LCP
- ④ SERIES NO.: 00: 6. 8H
01: 7. 7H

ITEM	NAME	Q' / TV/TEACH	MATERIAL / FINISHED	REMARK
1	HOUSING	1	THERMOPLASTIC UL94V-0, BLACK	
2	CONTACT	3	COPPER ALLOY MATING AREA Au PLATED	
3	PAID	2	COPPER ALLOY SN PLATED	

YTCOON
 Dongguan YTCOON
 Electronics Technology Co., Ltd.

CUSTOMER DRAWING	DRAWING	DEV1	TITLE
			3PIN BATTERY 6. 8H/7. 7H 3. 1PITCH

GENERAL TOLERANCE	APPROVED	P/N:
X ±0.20		BT12-03AB05-00
.XX ±0.15		
.XXX ±0.10		

ANGEL TOLERANCE	DATE	DRAWING NO.
X ±3°	2012. 04. 24	C-BT12-00
.XX ±2°		
.XXX ±1°		

UNIT	SCALE	SIZE	A4	SHEET	1 of 1	REV	A
mm	1:1	A4					

PART NO.	DIM A	DIM B	±0.2	DIM C	±0.2
BT12-03AB05-00	6.80	4.50		4.65	
BT12-03AB05-01	7.70	5.40		5.55	