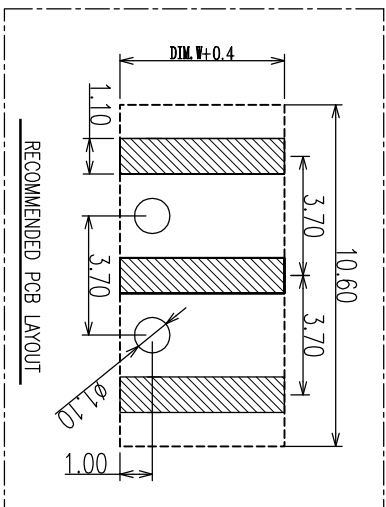
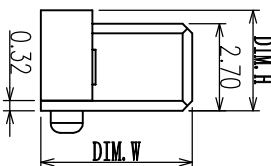
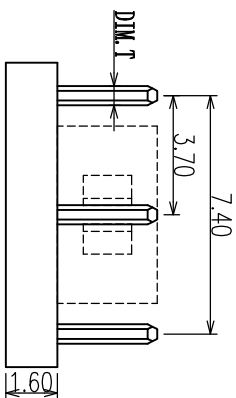
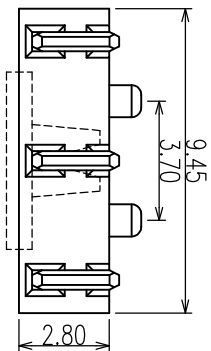


REV	EON #	DESCRIPTION	DRAWING	APPROVED	DATE
A		NEW RELEASE	DEYI		2012/4/24



- NOTES:
1. CONTACT CURRENT RATING: 1.0A.
  2. CONTACT RESISTANCE: 50 m $\Omega$  MAX.;
  3. INSULATION RESISTANCE: 1000 $\Omega$  MIN.;
  4. DIELECTRIC WITHSTANDING: 300V AC MIN.;
  5. DURABILITY: 5,000 CYCLES MIN.;
  6. CONNECTOR MATING FORCES: 29.8N (3.00kgf) MAX.;
  7. CONNECTOR UNMATING FORCES: 3N(0.31kgf) MIN.;
  8. PRODUCT MEET THE REQUEST OF THE RoHS.

PRODUCT NO.

BT09-03 A B 10-0X

① ② ③ ④

PRODUCT SERIES:

① BT09: 3pin 刀式 电池连接器

② PIN NO.:

03: 3PIN

③ MATERIAL:

A: LCP

④ SERIES NO.:

0X: SEE TABLE B

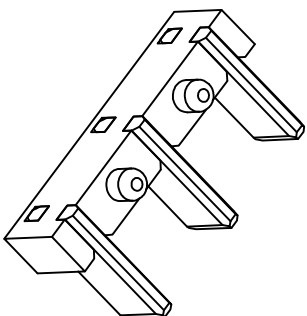
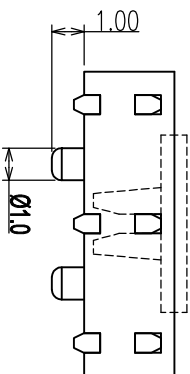


TABLE A :

项目	名称	数量/套	MATERIAL/FINISHED	REMARK
2	端子	3	COPPER ALLOY AU PLATED OVER NICKEL PLATED	
1	胶芯	1	Thermoplastic UL94V-0, BLACK	

**CUSTOMER DRAWING**

**YTCOON**  
http://www.hnytc.com

**Dongguan YTCOON Electronics Technology Co., Ltd.**

GENERAL TOLERANCE

X:  $\pm 0.20$

.XX:  $\pm 0.15$

.XXX:  $\pm 0.10$

ANGEL TOLERANCE

X:  $\pm 3^\circ$

.XX:  $\pm 2^\circ$

.XXX:  $\pm 1^\circ$

DRAWING DEYI

DATE 2013. 11. 18

APPROVED

P/N: BT09-03AB10-0X

DRAWING NO. C-BT09-03

UNIT	SCALE	SIZE	A4	SHEET	1of1	REV	A
mm	1:1	A4					

TABLE B:

ITEM	PRODUCT NO.	DIM.H	DIM.W	DIM.T
4	BT09-03AB10-06	3.0	4.5	0.5
3	BT09-03AB10-05	3.0	4.7	0.5
2	BT09-03AB10-04	3.0	4.5	0.6
1	BT09-03AB10-03	3.0	4.7	0.6