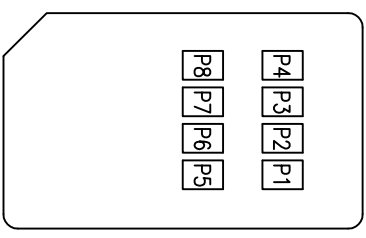
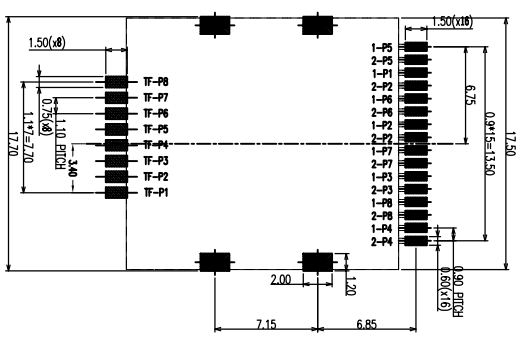
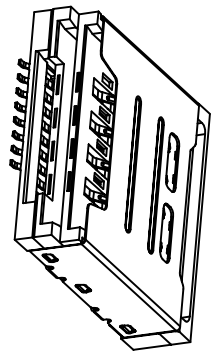
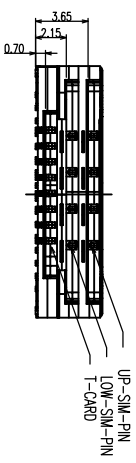
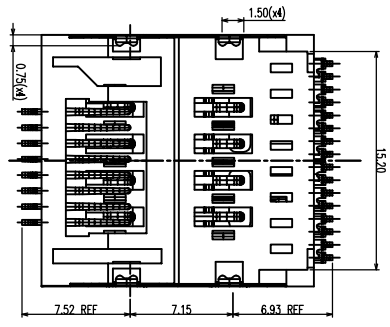
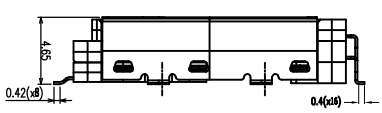
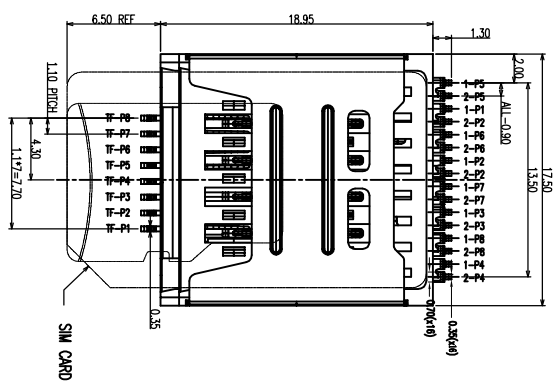


REV	ECN #	DESCRIPTION	DRAWING	APPROVED	DATE
A		NEW RELEASE	DEVI		10/14/14

- NOTES:
- ELECTRICAL SPECIFICATIONS:
CURRENT RATING: 0.5A.
VOLTAGE RATING: 5V.
CONTACT RESISTANCE: 50 MILLI-OHM MAX.
INSULATION RESISTANCE: 1000 MEG-OHM MIN.
 - MECHANICAL SPECIFICATIONS:
DURABILITY: 5000 CYCLES MIN.



TF CARD PIN	FUNCTION NO.	SIM CARD PIN	FUNCTION NO.
P1	DAT2/DATA LINE BIT2	P1	VCC-PWR SIGNAL AND GND
P2	CD/DAT3/CARD DETECT/DATA LINE BIT3	P2	RESPECT SIGNAL
P3	CMO-COMMAND/RESPONSE	P3	CLK-CLOCKING SIGNAL
P4	VDD1-SUPPLY VOLTAGE	P4	RESERVED
P5	CLK-CLOCK	P5	GND-PWR SIGNAL AND GND
P6	VSS1/SUPPLY VOLTAGE GROUND	P6	VPP-PROGRAMMING VOLTAGE
P7	DAT0/DATA LINE BIT0	P7	I/O-SERIAL DATE INPUT/OUTPUT
P8	DAT1/DATA LINE BIT1	P8	RESERVED

RECOMMENDED PCB LAYOUT
TOLERANCE=±0.05

CUSTOMER DRAWING		YTCONN http://www.tinyconn.com	
GENERAL TOLERANCE	DRAWING	TITLE:	4.7H SIM+TF 3IN 1 CARD
X ±0.20	DEVI	P/N:	SM59-24CB03-00
.XX ±0.15	APPROVED	DRAWING NO.:	C-SM59-00
.XXX ±0.10	DATE	2016.1.19	
ANGEL TOLERANCE	UNIT	mm	
X ±3°	SCALE	1:1	
.XX ±2°	SIZE	A4	
.XXX ±1°	SHEET	1 of 2	

Dongguan YTCONN Electronics Technology Co., Ltd