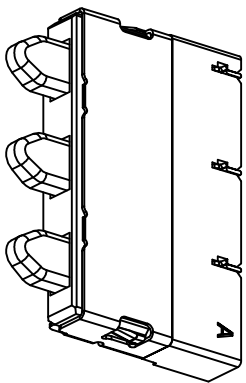


REV	ECON #	DESCRIPTION	DRAWING	APPROVED	DATE
A		NEW RELEASE	DEY1		2012/4/24



- NOTES:
- MATERIAL
 - 1.1.HOUSING:THERMOPLASTIC,UL 94V-0 COLOR:BLACK
 - 1.2.CONTACT: COPPER ALLOY T=0.50
 - 1.3.CAP:THERMOPLASTIC,UL 94V-0 COLOR:BLACK
- 2.FINISH:
- 2.1.CONTACT:3U" GOLD PLATING ON CONTACT AREA 80U"MIN NICKEL UNDERPLATING OVER ALL

PRODUCT NO.

BT21-03 A B 05-03

① ② ③ ④

PRODUCT SERIES:

① BT21:3PIN BATTERY CONNECTORT 1.5H 3.0PITCH

② PIN NO. :

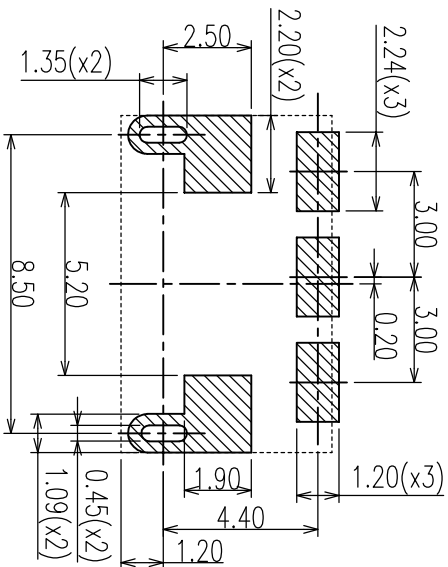
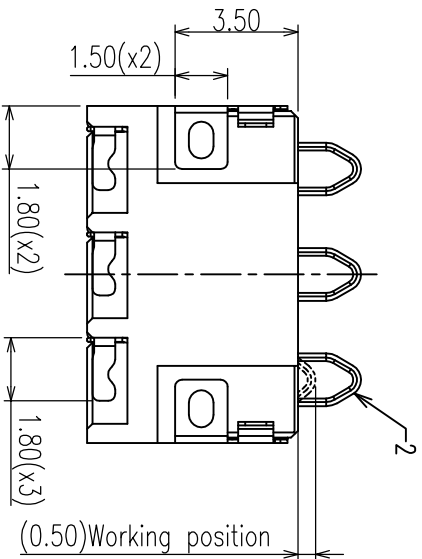
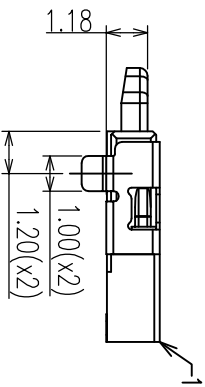
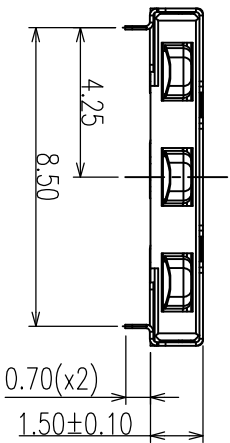
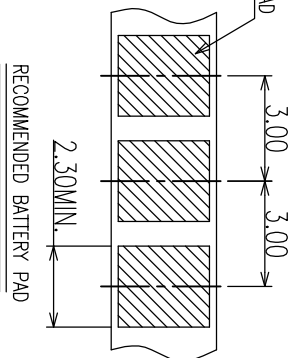
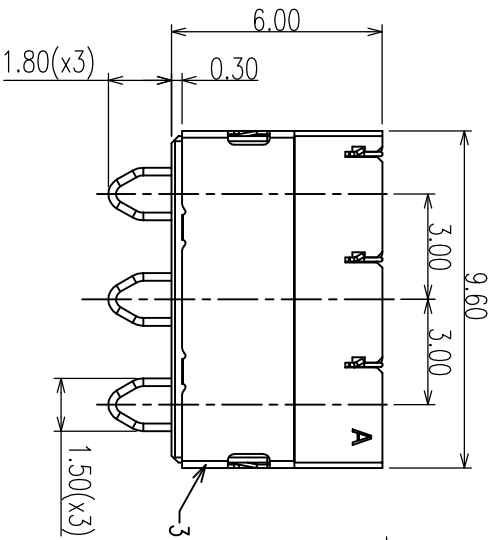
03: 3PIN

③ MATERIAL:

A: LCP

④ SERIES NO. :

03: 插板锡脚宽度 1.0mm, 1.5h



RECOMMENDED PCB LAYOUT
TOLERANCES ±0.05(TOP VIEW)

TABLE A:

ITEM	NAME	QTY	MATERIAL / FINISH
3	SHELL	1	STAINLESS STEEL/PLATED GOLD ON PAD
2	CONTACT	3	COPPER ALLOY/CONTACT AREA GOLD PLATED
1	HOUSING	1	HIGH TEMPERATURE UL 94-V0 BLACK

CUSTOMER DRAWING
YTCOON
Dongguan YTCOON Electronics Technology Co., Ltd.

GENERAL TOLERANCE	DRAWING	DEY1	TITLE:
X ±0.20	APPROVED		3PIN BATTERY CONNECTORT 1.5H 3.0PITCH
.XX ±0.15	DATE	2014. 01. 02	P/N: BT21-03AB05-03
.XXX ±0.10	UNIT	mm	DRAWING NO. C-BT21-03
ANGEL TOLERANCE	SCALE	1:1	SHEET 1of1
X ±3°	SIZE	A4	SHEET 1of1
.XX ±2°	SHEET	1of1	REV A
.XXX ±1°	SCALE	1:1	REV A

