

REV	ECON #	DESCRIPTION	DRAWING	APPROVED	DATE
A	ECN110001	NEW RELEASE	GF		2011/11/03

- NOTES:
1. CONTACT CURRENT RATING: 1A.
 2. CONTACT RESISTANCE: 50 m² MAX.;
 3. INSULATION RESISTANCE: 1000² MIN.;
 4. DIELECTRIC WITHSTANDING: 500V AC MIN.;
 5. DURABILITY: 5,000 CYCLES MIN.;
 6. CONNECTOR MATING FORCES: 29.4N (3.00KgF) MAX.;
 7. CONNECTOR UNMATING FORCES: 2.94N(0.30KgF) MIN.;
 8. PRODUCT MEET THE REQUEST OF THE ROHS, SEE TABLE A:

PRODUCT NO.

PJ08-06 A B 05-06

- ① ② ③ ④

① PRODUCT SERIES:

PJ08:PHONE JACK CONNECTOR slim 1.0mm type.

② PIN NO.:

04: 4PIN

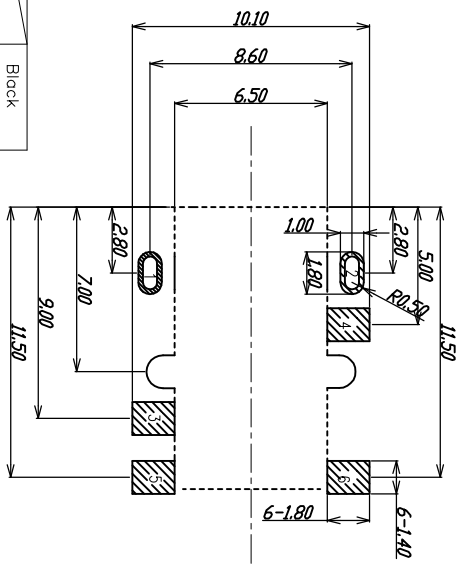
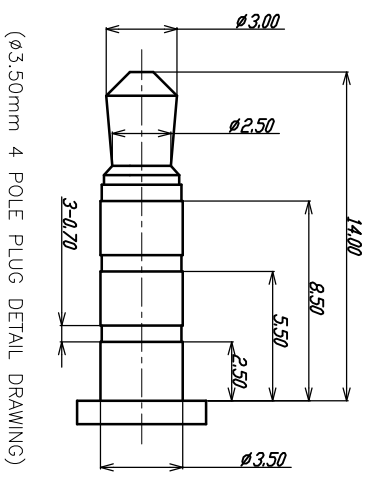
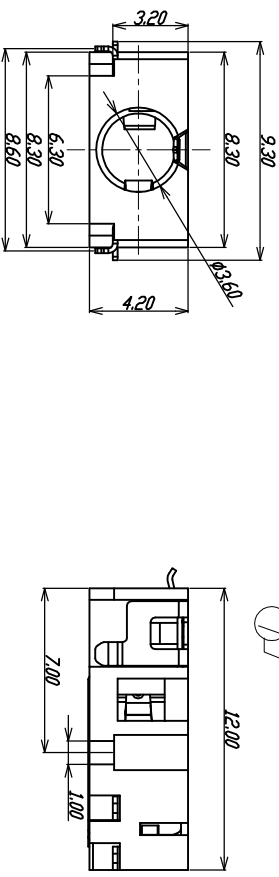
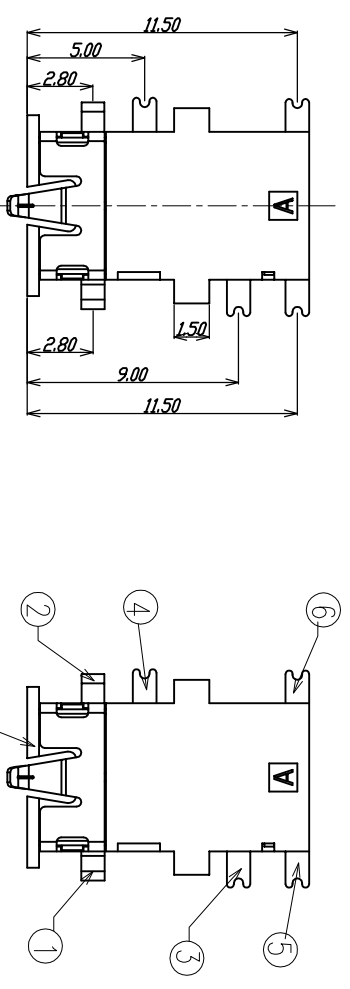
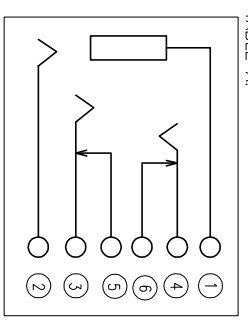
06: 6PIN

③ MATERIAL:

A: PA9T

④ SERIES NO.:

06: L=12mm 无头前插后贴



ITEM	PART NAME	QTY	MATERIAL	DESCRIPTION	REMARK
⑦	HOUSING	1	PPA	Gold Flash	Block
⑥	CONTACT F	1	PHOSPHOR BRONZE 0.20T	Gold Flash	
⑤	CONTACT E	1	PHOSPHOR BRONZE 0.20T	Gold Flash	
④	CONTACT D	1	PHOSPHOR BRONZE 0.20T	Gold Flash	
③	CONTACT C	1	PHOSPHOR BRONZE 0.20T	Gold Flash	
②	CONTACT B	1	PHOSPHOR BRONZE 0.20T	Gold Flash	
①	CONTACT A	1	PHOSPHOR BRONZE 0.20T	Gold Flash	

CUSTOMER DRAWING

YTCONN
Dongguan YTCOON Electronics Technology Co., Ltd.

GENERAL TOLERANCE	DRAWING	DEVI	TITLE:	PHONE JACK CONNECTOR
X \pm 0.20	APPROVED		slim 1.0mm type L=12mm	无头前插后贴
.XX \pm 0.15	DATE	2012.04.26	P/N:	PJ08-06AB05-06
.XXX \pm 0.10	SCALE	1:1	DRAWING NO.	C-PJ08-06
ANGEL TOLERANCE	UNIT	mm	SHEET	10/2
X \pm 5°	SCALE	1:1	SIZE	A4
.XX \pm 7°	SCALE	1:1	SIZE	A4
.XXX \pm 1°	SCALE	1:1	SIZE	A4