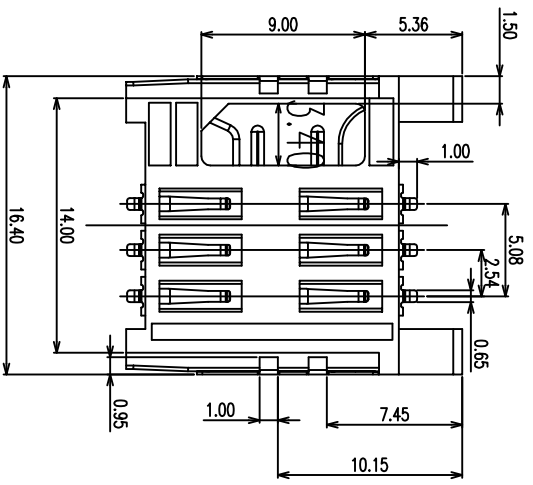
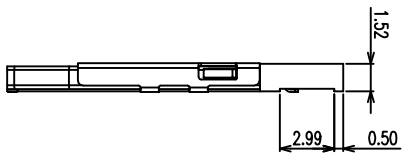
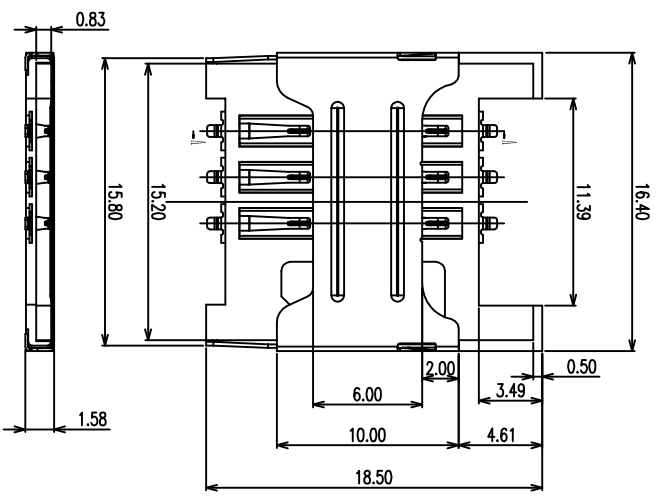
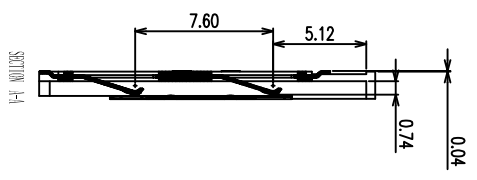
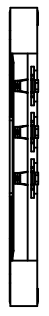


REV	ECN #	DESCRIPTION	DRAWING	APPROVED	DATE
A		NEW RELEASE	DEY1		04/26/12

71	81	91	101
----	----	----	-----



- NOTES:
- 1.0 RATING.
 - 1.1 VOLTAGE: 12 VAC (rms)
 - 1.2 CURRENT: 1 AMPERES MAX. PER CONTACT
 - 1.3 OPERATION TEMPERATURE RANGE: -25°C~+70°C
 - 2.0 ELECTRIC CHARACTERISTIC:
 - 2.1 CONTACT RESISTANCE: 60mΩ MAX.
 - 2.2 INSULATION RESISTANCE: 1000MΩ MIN.
 - 2.3 DIELECTRIC WITHSTANDING VOLTAGE: 500V AC FOR 1 MINUTE
 - 3.0 OPERATION LIFE: 5000 CYCLES
 - 4.0 MATERIAL/FINISH: SEE TABLE
 - 5.0 CONTACT PIN ASSIGNMENT: SEE TABLE

料号编码

SM21-06 A B 05-00

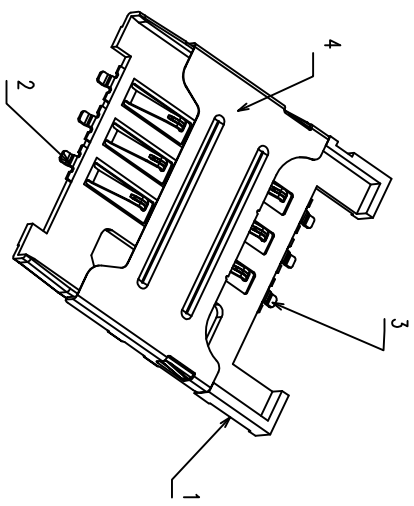
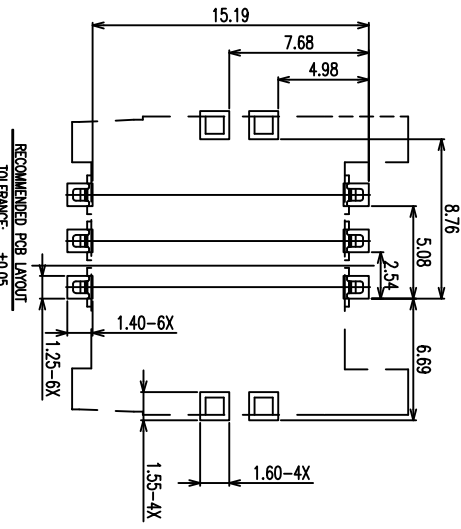
① 产品系列: SM21: SIM 卡连接器

② 产品 PIN 数: 06: 6PIN

③ 塑胶材料: A: LCP

④ 塑胶颜色: B: 黑色

⑤ 产品流水号 00: SIM CARD 1.55H 抽屜式 L=18.5MM



项目	名称	数量/套	MATERIAL/FINISHED	REMARK
4	铁壳	1	不锈钢 SUS301 T=0.150mm	
3	短端子	ISET (3PIN)	C5210R-EH, T=0.15mm, 功能区镀金5u"	
2	长端子	ISET (3PIN)	C5210R-EH, T=0.15mm, 功能区镀金5u"	
1	胶芯	1	LCP, 黑色	

CUSTOMER DRAWING

YTCONN
Dongguan YTCONN Electronics Technology Co., Ltd.
<http://www.ytconn.com>

GENERAL TOLERANCE	DRAWING	TITLE
X ±0.20	DEY1	SIM CARD 1.55H 抽屜式 L=18.5MM
.XX ±0.15	APPROVED	P/N: SM21-06AB05-00
.XXX ±0.10	DATE	DRAWING NO. C-SM21-00

ANGEL TOLERANCE	UNIT	SCALE	SIZE	A4	SHEET	1 of 1	REV	A
X ±3°	mm	1:1	A4	SHEET	1 of 1	REV	A	
.XX ±2'								
.XXX ±1'								