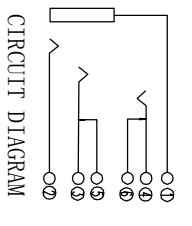
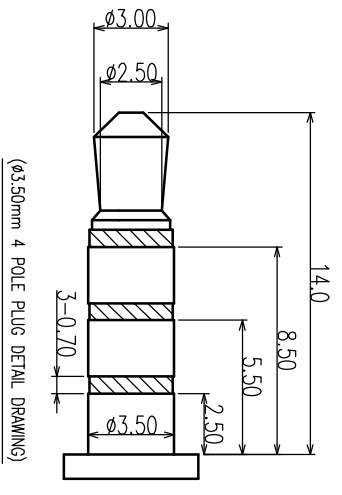
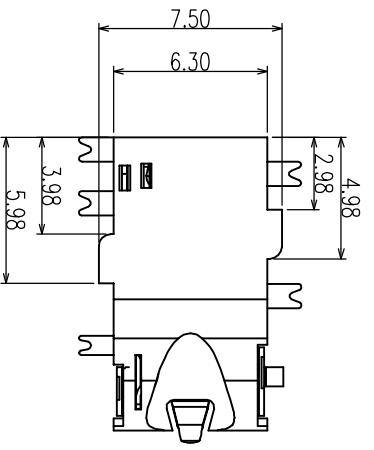
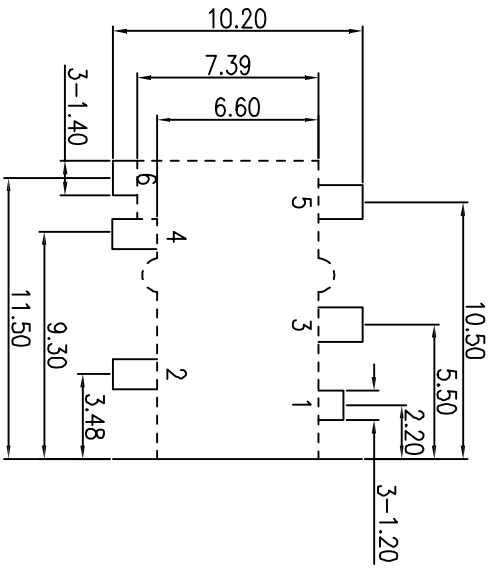
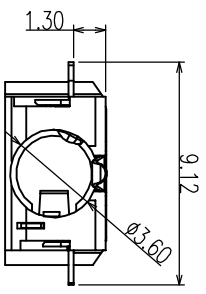
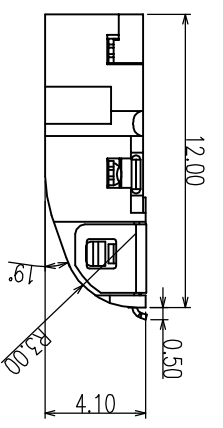
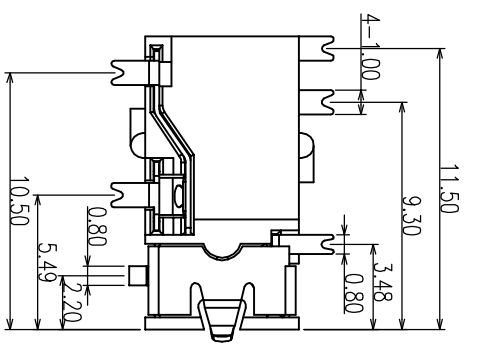
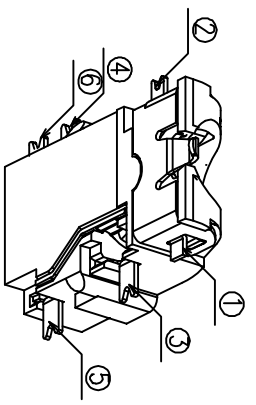


REV	ECN #	DESCRIPTION	DRAWING	APPROVED	DATE
A		NEW RELEASE	DE1		2012/4/24



NOTES :

- 1.0. RATING :
- 1.1. VOLTAGE : 12 VAC (R.M.S.)
- 1.2. CURRENT : 1 AMPERE MAXIMUM PER CONTACT AT 30°C T-RISE
- 1.3. TEMPERATURE : -20°C TO +70°C
- 2.0. ELECTRICAL CHARACTERISTIC :
- 2.1. CONTACT RESISTANCE : 50 MILLIOHMS MAXIMUM INITIAL
- 2.2. INSULATION RESISTANCE : 100 MEGOHMS MINIMUM
- 2.3. DIELECTRIC WITHSTANDING VOLTAGE : 500 VAC AT SEA LEVEL
- 3.0. MATERIALS :
- 3.1. CONTACT : COPPER ALLOY
- 3.2. HOUSING : THERMOPLASTIC, GLASS FILLED, 130°C, UL 94V-0 RATED
- 4.0. MECHANICAL :
- 4.1. INSERTION FORCE(PER CONTACT): 300~3000 GRAMS
- 4.2. WITHDRAWAL FORCE(PER CONTACT): 300~3000 GRAMS
- 4.3. DURABILITY ,MINIMUM: MATED 5000 TIMES WITHOUT DEGRADING
- 4.4. CONTACT FORCE, MINIMUM: 80 GRAMS

PRODUCT NO.

PJ21-06 A B 05-00

① ② ③ ④

PRODUCT SERIES:

① PJ21: PHONE JACK CONNECTOR slim type.

② PIN NO. :

06: 6PIN

③ MATERIAL:

A: LCP

④ SERIES NO. :

00: ø3.5mm 沉板1.3mm, 斜口

CUSTOMER DRAWING		YTCONN		Dongguan YTCONN Electronics Technology Co., Ltd.	
GENERAL TOLERANCE	DRAWING	DEVT	TITLE:	PHONE JACK CONNECTOR SLIM TYPE	
X	X		APPROVED	P/N:	PJ21-06AB05-00
X ±0.20	XX ±0.15		DATE	2013. 05. 04	DRAWING NO. C-PJ21-00
.XXX ±0.10	ANGEL TOLERANCE		UNIT	mm	SCALE
X ±3	XX ±2		1:1	SIZE	A4
.XXX ±1			SHEET	1of1	REV
					A