

REV	ECN #	DESCRIPTION	DRAWING	APPROVED	DATE
A		NEW RELEASE	DEYI		10/04/12

NOTES:

- 1.MATERIAL:HOUSING SLIDER:THERMOPLASTIC RESIN
UL 94V-0 COLOR:BLACK
CONTACT:COPPER ALLOY
SHELL:STAINLESS STEEL
COIL:SWP
CAM ROD:STAINLESS STEEL
- 2.FINISH CONTACT:AU PL AT CONTACT AREA
AU PL AT CONTACT AREA
SHELL:AU PL AT SOLDERING AND SWITCH AREA
- 3.NON-CUMULATIVE TOLERANCE
- 4.COPLANARITY IS 0.1MAX
- 5.CIRCUIT DRAWING OF SWITCH
- 6.OVERALL TOLERANCE:+/-0.1

料号编码

SM29-06 C B 07-01

① ② ③ ④ ⑤

① 产品系列:

SM29: 1.3H SIM Card CONNECTOR

② 产品PIN数:

06: 6PIN

③ 塑胶材料:

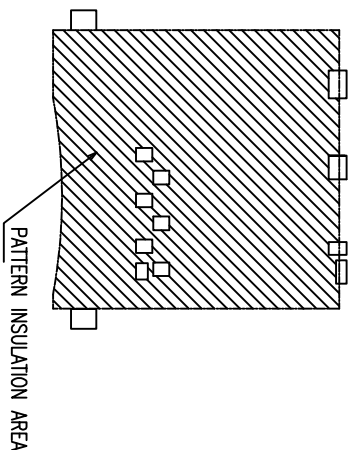
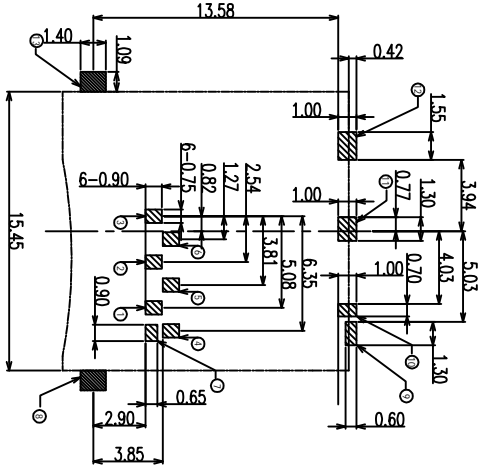
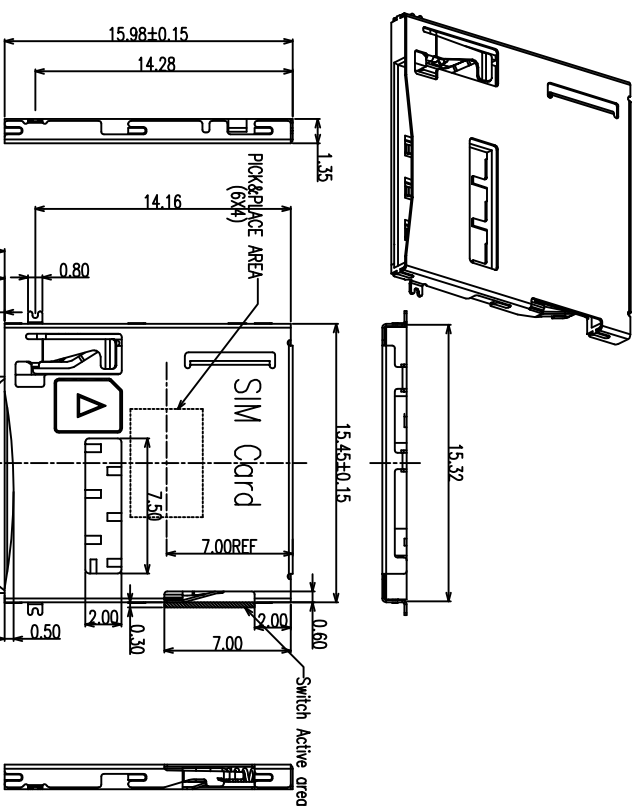
C: LCP

④ 塑胶颜色:

B: 黑色

⑤ 产品流水号

01: 1.35H SMT TYPE

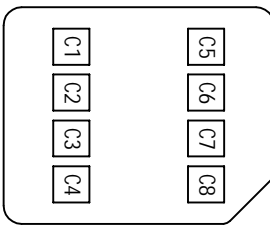


Connector pin Assignment

No.	Pin Name	Description
①	C1	Vcc of SIM
②	C2	RST of SIM
③	C3	CLK of SIM
④	C5	GND of SIM
⑤	C6	Vpp of SIM
⑥	C7	I/O of SIM
⑦	SW	Detection Switch
⑧	GND	Shell Ground

SIM Card Pin Assignment

Pin No.	Name
C1	Vcc
C2	RST
C3	CLK
C4	Reserved
C5	GND
C6	Vpp
C7	I/O
C8	Reserved



CUSTOMER DRAWING		YTCONN http://www.ytconn.com	
GENERAL TOLERANCE		TITLE:	
X ±0.20	DRAWING	DEYI	
.XX ±0.15	APPROVED	1.35H SIM Card CONNECTOR	
.XXX ±0.10	DATE	2012.10.04	
ANGEL TOLERANCE		DRAWING NO. C-SM29-01	
X ±3°			
.XX ±2°			
.XXX ±1°			
UNIT mm		SCALE	1:1
SIZE		A4	SHEET
REV		1of1	REV
A		A	

Dongguan YTCONN Electronics Technology Co., Ltd.