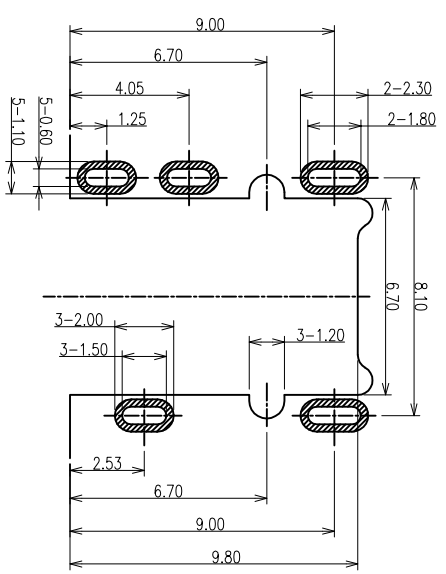
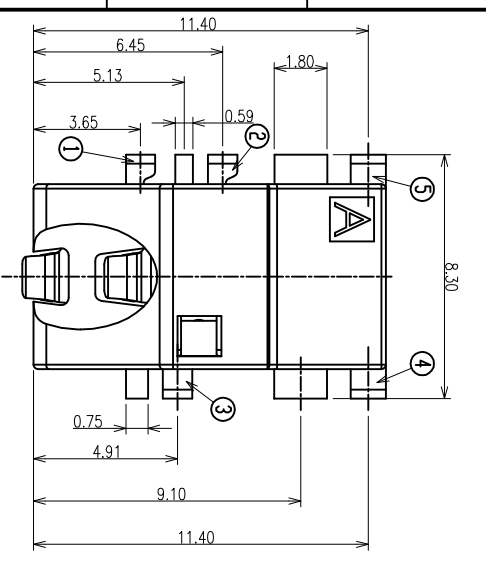
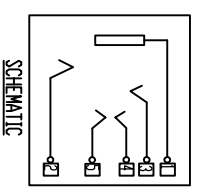
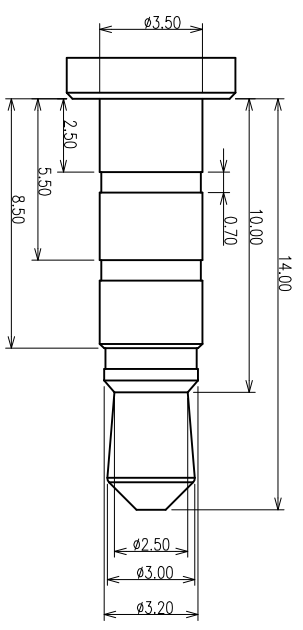
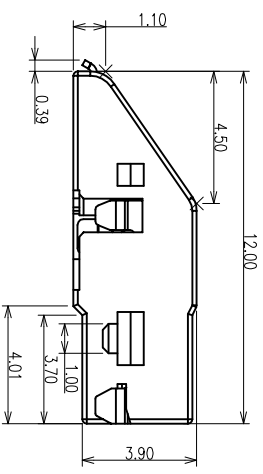
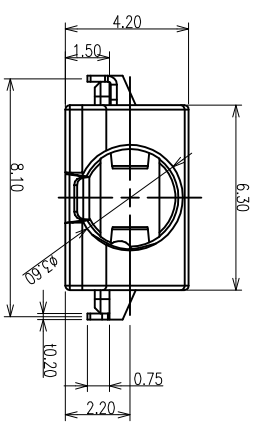


REV	ECN #	DESCRIPTION	DRAWING	APPROVED	DATE
A		NEW RELEASE	DEV1		2012/05/25



RECOMMENDED PCB LAYOUT TOP VIEW
(GENERAL TOLERANCES)



Ø3.50mm 4 POLE PLUG
DETAIL DRAWING(2/2)

- NOTES:
- CONTACT CURRENT RATING: 1A.
 - CONTACT RESISTANCE: 50 mΩ MAX.;
 - INSULATION RESISTANCE: 1000 Ω MIN.;
 - DIELECTRIC WITHSTANDING: 500V AC MIN.;
 - DURABILITY: 5,000 CYCLES MIN.;
 - CONNECTOR MATING FORCES: 29.4N (3.00kgf) MAX.;
 - CONNECTOR UNMATING FORCES: 2.94N(0.30kgf) MIN.;

PRODUCT NO.

PJ18-05 A B 03-03

- ①
- ②
- ③
- ④

① PRODUCT SERIES:

PJ18: PHONE JACK CONNECTOR

② PIN NO.:

05: 5PIN

③ MATERIAL:

A: PA9T

④ SERIES NO.:

03:正向沉板1.5mm

CUSTOMER DRAWING		YTCONN http://www.ytconn.com		Dongguan YTCONN Electronics Technology Co., Ltd	
GENERAL TOLERANCE	DRAWING	DEV1	TITLE:	Ø3.50mm PHONE JACK CONNECTOR	
X ±0.20	APPROVED		P/N:	PJ18-05AB03-03	
.XX ±0.15	DATE	2016.03.19	DRAWING NO.	C-PJ18-02	
.XXX ±0.10	UNIT	mm	SCALE	1:1	SIZE A4
ANGEL TOLERANCE			SHEET	1of1	REV A
X ±5°					
.XX ±2°					
.XXX ±1°					