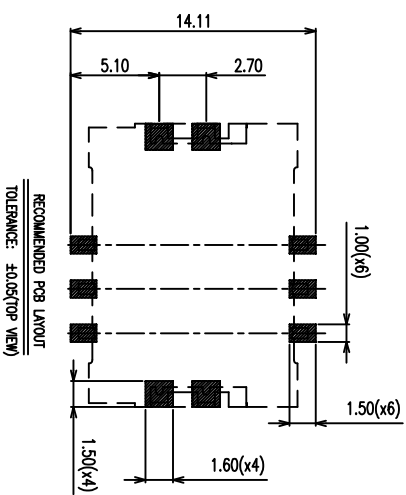
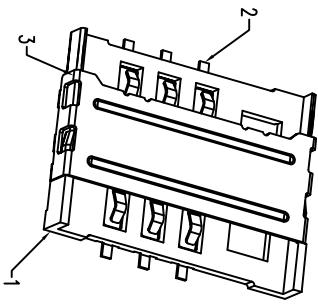
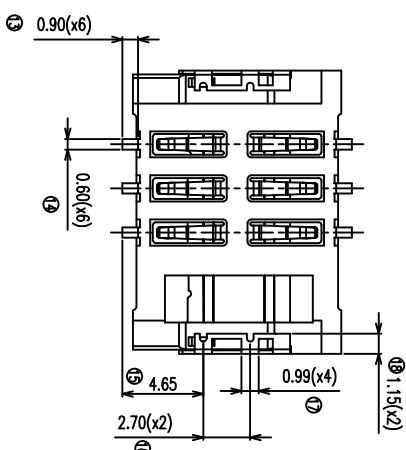
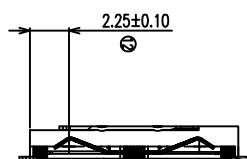
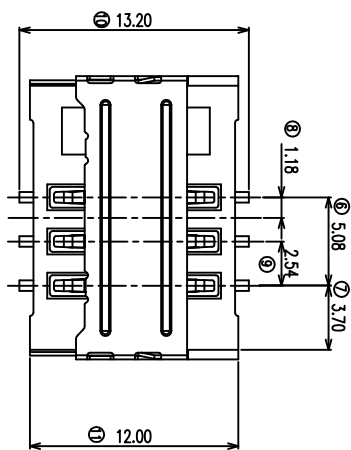
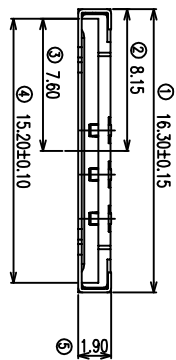




REV	ECN #	DESCRIPTION	DRAWING	APPROVED	DATE
A		NEW RELEASE	DEYI		04/26/12



- NOTES:
- 1.0 RATING:
 - 1.1 VOLTAGE:12 VAC (rms)
 - 1.2 CURRENT: 1 AMPERES MAX. PER CONTACT
 - 1.3 OPERATION TEMPERATURE RANGE: -25°C~+70°C
 - 2.0 ELECTRIC CHARACTERISTIC:
 - 2.1 CONTACT RESISTANCE:60mΩ MAX.
 - 2.2 INSULATION RESISTANCE:1990MΩ.
 - 2.3 DIELECTRIC WITHSTANDING VOLTAGE:500V AC FOR 1 MINUTE
 - 3.0 OPERATION LIFE: 5000 CYCLES
 - 4.0 MATERIAL/FINISH:SEE TABLE
 - 5.0 CONTACT PIN ASSIGNMENT:SEE TABLE

料号编码

SM07-06 A B 05-XX
① ② ③ ④ ⑤

- ① 产品系列:
 - ② 产品PIN连接器
 - ③ 产品PIN数: 06; 6PIN
 - ④ 塑胶材料:
 - A: LCP
 - ⑤ 塑胶颜色:
 - B: 黑色
 - ⑥ 产品流水号
- 03: SIM CARD 1.9H 抽屜式

3	SHELL	1	STAINLESS STEEL/PALTED TIN
2	CONTACT	6	COPPER ALLOY/SELECT PLATED GOLD
1	HOUSING	1	HIGH TEMPERATURE UL 94-V0 BLACK
ITEM	NAME	Q'TY	MATERIAL / FINISH

YTCOON
Dongguan YTCOON
Electronics Technology Co., Ltd

GENERAL TOLERANCE	DRAWING	DEYI	TITLE:	SIM CARD 1.90H 抽屜式
X ±0.20	APPROVED		P/N:	SM07-06AB05-03
.XX ±0.15	DATE	2013.05.29	DRAWING NO.	C-SM07-01
.XXX ±0.10	UNIT	mm	SCALE	1:1
ANGEL TOLERANCE	SIZE	A4	SHEET	1of1
X ±.3°	REV	A		
.XX ±.2°				
.XXX ±.1°				

RECOMMENDED PCB LAYOUT
TOLERANCE: ±0.05(TOP VIEW)

