

REV	ECN #	DESCRIPTION	DRAWING	APPROVED	DATE
A		NEW RELEASE	DEV1		2012/4/24

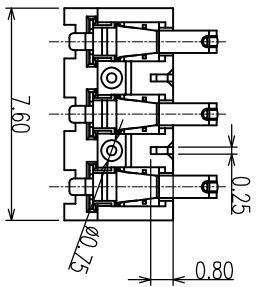
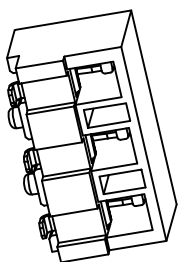
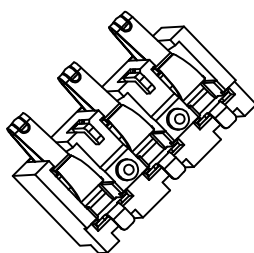
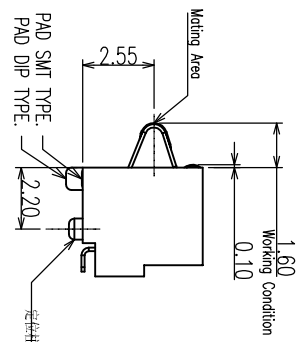
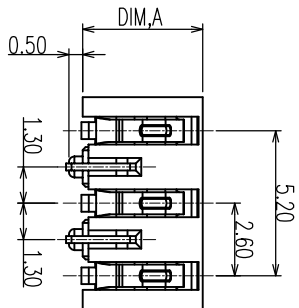
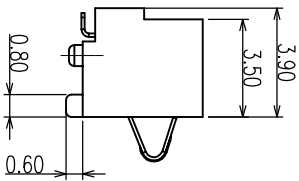
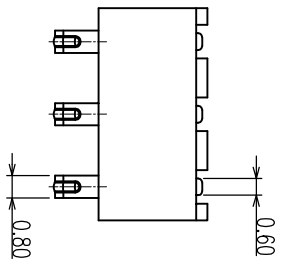


TABLE A:

料号	DIM. A	PAD TYPE.	定位柱
BT13-03AB10-00	4.3H	DIP TYPE.	无定位柱
BT13-03AB10-01	4.3H	DIP TYPE.	有定位柱
BT13-03AB10-02	4.3H	SMT TYPE.	无定位柱
BT13-03AB10-03	4.3H	SMT TYPE.	有定位柱
BT13-03AB10-04	4.5H	SMT TYPE.	有定位柱
BT13-03AB10-05	4.5H	SMT TYPE.	无定位柱
BT13-03AB10-06	4.5H	DIP TYPE.	有定位柱
BT13-03AB10-07	4.5H	DIP TYPE.	无定位柱

ITEM	NAME	Q' TV/EACH	MATERIAL/FINISHED	REMARK
1	HOUSING	1	NONE/BLACK	
2	CONTACT	3	All Au over Nickel Plated	
3	PAD	2	All Sn/Pb Plated	

**CUSTOMER DRAWING**



**Dongguan YTCOON Electronics Technology Co., Ltd.**

**GENERAL TOLERANCE**

DRAWING

DEVT

TITLE

3PIN 2.6PITCH 电池连接器

X ±0.20

APPROVED

P/N:

BT13-03AB10-XX

.XX ±0.15

DATE

UNIT

SCALE

2012.04.24

.XXX ±0.10

ANGLE TOLERANCE

SCALE

SIZE

1:1

X ±3°

DATE

UNIT

SCALE

2012.04.24

.XX ±2°

DATE

UNIT

SCALE

2012.04.24

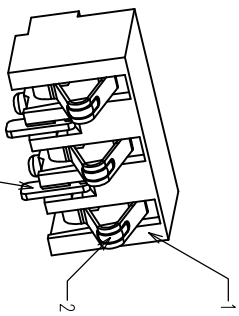
.XXX ±1°

DATE

UNIT

SCALE

2012.04.24



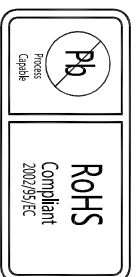
ANGEL TOLERANCE

DATE

UNIT

SCALE

2012.04.24



REV	ECN #	DESCRIPTION	DRAWING	APPROVED	DATE
A		NEW RELEASE	DEV1		2012/4/24

NOTES:

1. MATERIAL
- 1.1. HOUSING: THERMOPLASTIC, UL 94V-0 COLOR: BLACK
- 1.2. CONTACT: COPPER ALLOY T=0.50
- 1.3. CAP: THERMOPLASTIC, UL 94V-0 COLOR: BLACK
2. FINISH:
- 2.1. CONTACT: 3U" GOLD PLATING ON CONTACT AREA
- 80U" MIN NICKEL UNDERPLATING OVER ALL

PRODUCT NO.

BT13-03 A B 10-XX

- ① ② ③ ④

PRODUCT SERIES:

- ① BT13::3PIN 2.6PITCH 电池连接器

- ② PIN NO.:

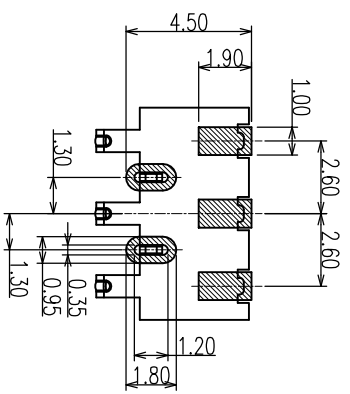
03: 3PIN

- ③ MATERIAL:

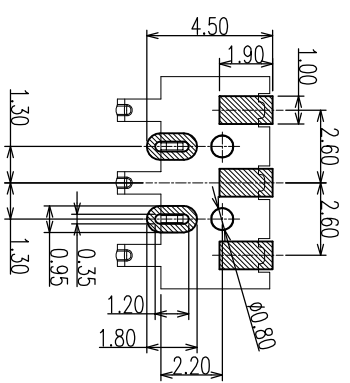
A: LCP

- ④ SERIES NO.:

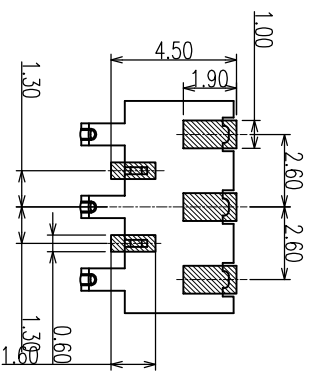
0\*: SEE TABLE A:



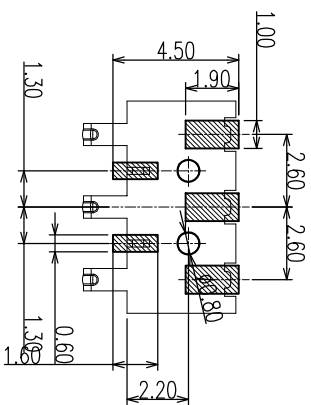
RECOMMENDED PCB LAYOUT  
TOLERANCE:±0.05



RECOMMENDED PCB LAYOUT  
TOLERANCE:±0.05



RECOMMENDED PCB LAYOUT  
TOLERANCE:±0.05



RECOMMENDED PCB LAYOUT  
TOLERANCE:±0.05

<b>CUSTOMER DRAWING</b>		<b>YTCONN</b> <small>http://www.ytconn.com</small>		<b>Dongguan YTCONN Electronics Technology Co., Ltd.</b>	
GENERAL TOLERANCE	X ±0.20 .XX ±0.15 .XXX ±0.10	DRAWING	DEV1	TITLE	3PIN 2.6PITCH 电池连接器
ANGLE TOLERANCE	X ±3° .XX ±2° .XXX ±1°	APPROVED		P/N:	BT13-03AB10-XX
		DATE	2012. 04. 24	DRAWING NO.	C-BT13-00
		UNIT	mm	SCALE	1:1
		SIZE	A4	SHEET	1 of 1
		REV	A		