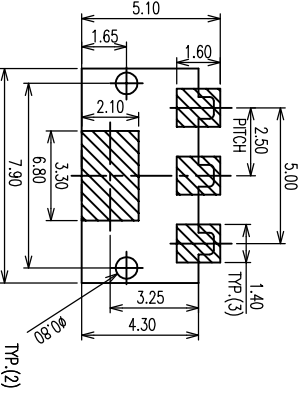
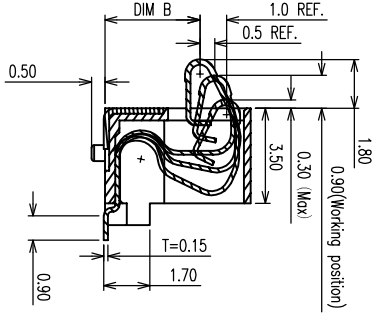
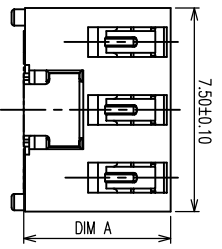
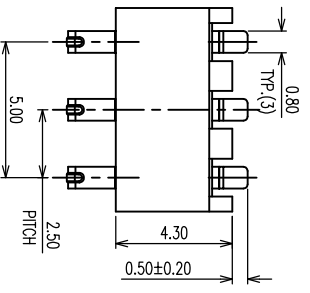
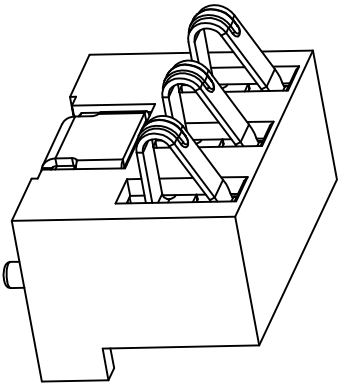


REV	ECN #	DESCRIPTION	DRAWING	APPROVED	DATE
A		NEW RELEASE	DEV1		2012/4/24



RECOMMENDED PCB LAYOUT
TOLERANCES ±0.05

- NOTES :
- 1.0. RATING :
 - 1.1. Operating voltage : 250 VAC MIN
 - 1.2. Operating current : 2.0 AMPERE MIN
 - 1.3. TEMPERATURE : -55°C TO +125°C
 - 2.0. ELECTRICAL CHARACTERISTIC :
 - 2.1. CONTACT RESISTANCE : 30 MILLI OHMS MAXIMUM INITIAL
 - 2.2. INSULATION RESISTANCE :500 MEGOHMS MINIMUM
 - 2.3. DIELECTIC WITHSTANDING VOLTAGE : 500 VAC AT SEA LEVEL
 - 3.0. MATERIALS :
 - 3.1. CONTACT : COPPER ALLOY
 - 3.2. HOUSING : THERMOPLASTIC, GLASS FILLED, 130°C, UL 94V-0 RATED
 - 4.0 Mechanical properties:
 - 4.1. DURABILITY ,MINIMUM: MATED 5000 TIMES WITHOUT DEGRADING ELECTRICAL CHARACTERISTICS
 - 4.2. CONTACT FORCE, MINIMUM: 80 GRAMS

PRODUCT NO.

BT05-03 A B 05-XX

- ①
- ②
- ③
- ④

PRODUCT SERIES:

① BT05-3PIN BATTERY 2.5PITCH 5.40H~7.5H

② PIN NO. :

03: 3PIN

③ MATERIAL:

A: LCP

④ SERIES NO. :

XX: SEE TABLE A

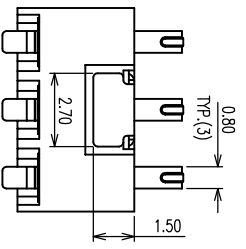


TABLE A :

7.5H	BT05-03AB05-14	BT05-03AB05-15	7.50	5.50
7.2H	BT05-03AB05-12	BT05-03AB05-013	7.20	5.20
7.0H	BT05-03AB05-10	BT05-03AB05-011	7.00	5.00
6.5H	BT05-03AB05-08	BT05-03AB05-09	6.50	4.50
6.2H	BT05-03AB05-06	BT05-03AB05-07	6.20	4.20
6.0H	BT05-03AB05-04	BT05-03AB05-05	6.00	4.00
5.8H	BT05-03AB05-02	BT05-03AB05-03	5.80	3.80
5.4H	BT05-03AB05-00	BT05-03AB05-01	5.40	3.50
TYPE	WITHOUT POST P/N	WITH POST P/N	DIM A	DIM B

CUSTOMER DRAWING		YTCONN		Dongguan YTCONN Electronics Technology Co., Ltd.	
GENERAL TOLERANCE	DRAWING	DEV1	TITLE	3PIN BATTERY CONNECTOR 2.5PITCH	
X ±0.20	APPROVED		P/N:	BT05-03AB05-XX	
.XX ±0.15	DATE	2012. 04. 24	DRAWING NO.	C-BT05-00	
.XXX ±0.10	UNIT	mm	SCALE	1:1	SIZE A4
X ±3°	SHEET				1 of 1
.XX ±2°	REV				A
.XXX ±1°					