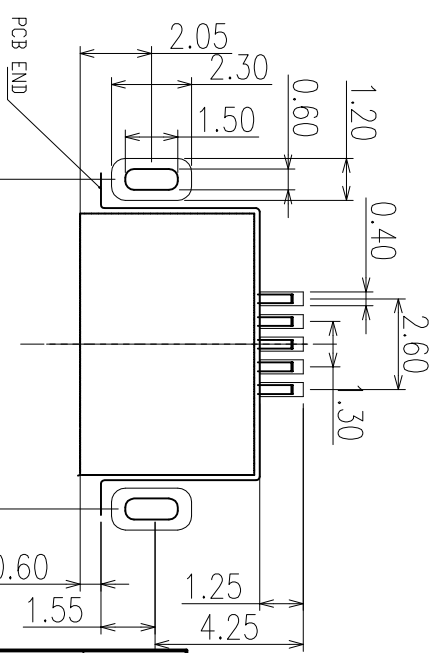
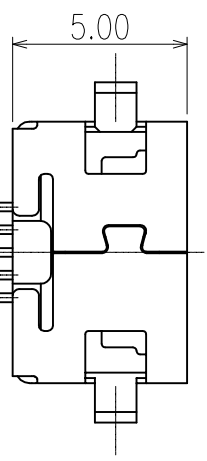
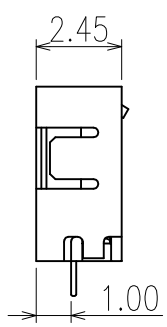
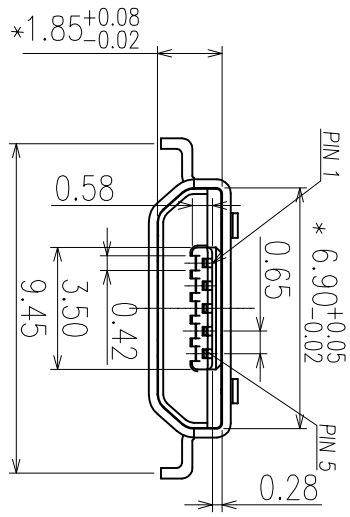
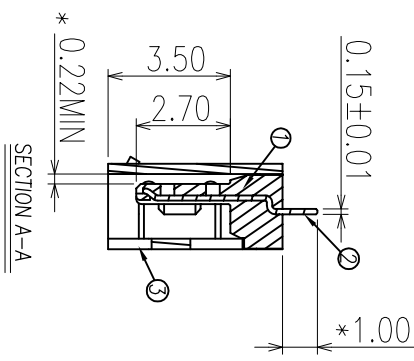
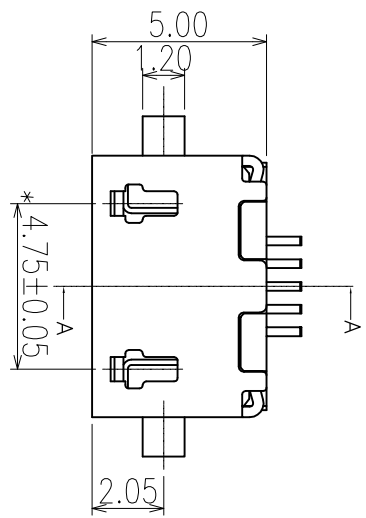
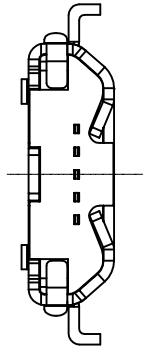


REV	ECN #	DESCRIPTION	DRAWING	APPROVED	DATE
A		NEW RELEASE			



RECOMMEND P.C.B.LAYOUT

- NOTES:
- MATERIAL:
 - PIN&SHELL: ALLOY COPPER
 - INSULATOR: HIGH TEMPERATURE THERMOPLASTICS UL94V-0, BLACK.
 - ELECTRICAL SPECIFICATIONS:
 - VOLTAGE RATING: 250 VAC MIN
 - CURRENT RATING: 2.0 A MIN
 - DIELECTRIC STRENGTH: 100 VAC FOR 1 MINUTE MIN
 - INSULATION RESISTANCE: 100 MEG OHM MIN
 - CONTACT RESISTANCE: 100 MILL.OHM MAX
 - OPERATION TEMPERATURE: -55iδ TO +125iδ
 - MECHANICAL SPECIFICATIONS:
 - DURABILITY: 5,000 CYCLES
 - THE DIMENSION MARKED NO. SHOULD BE CHECKED IN PRODUCTION.
 - MATERIAL SHOULD BE FULFILLED ROHS REQUIREMENTS.

- PRODUCT NO. _____
- MU05 - 05 A B 05 - 10
- ① ② ③ ④
- ① 产品系列:
MU05: MICRO USB 连接器
- ② 产品PIN数:
05: 5PIN
- ③ 主体材质:
A: LCP
- ④ SERIES NO.:
- 10: 破板1.0, 无翻边

CUSTOMER DRAWING

YTCONN

Dongguan YTCONN Electronics Technology Co., Ltd.

GENERAL TOLERANCE

X ±0.20
XX ±0.15
XXX ±0.10

DRAWING DEVI

DATE 2015.07.07

UNIT mm SCALE 1:1 SIZE A4 SHEET 1of1 REV A

TITLE: MICRO USB CONNECTOR 破板1.0mm 铁壳无翻边, 插板式

P/N: MU05-05AB05-10

DRAWING NO. C-MU05-10

ANGEL TOLERANCE

X ±3°
XX ±2°
XXX ±1°

