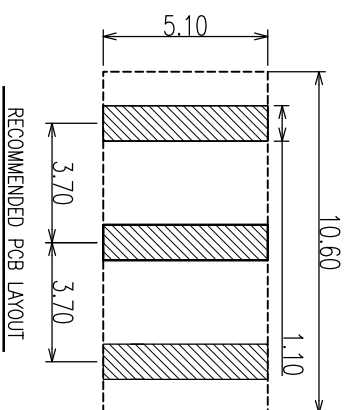
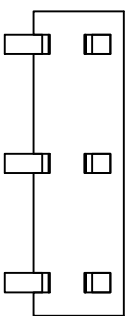
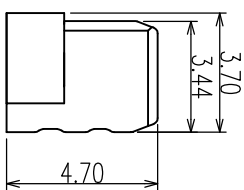
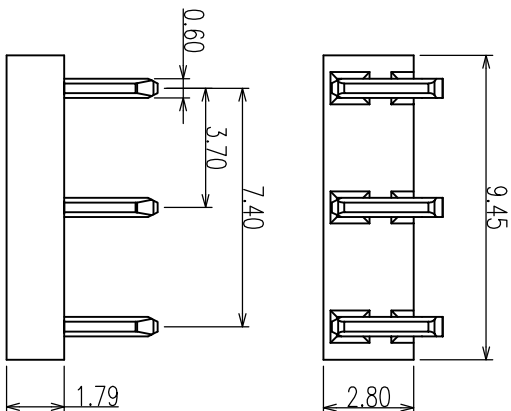
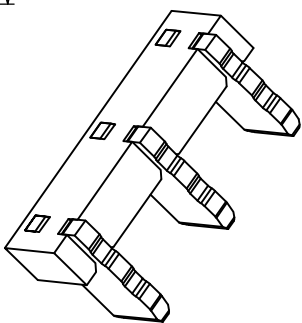


REV	EON #	DESCRIPTION	DRAWING	APPROVED	DATE
A		NEW RELEASE	DEYI		2012/4/24



NOTES:

- MATERIAL
1.1. HOUSING: THERMOPLASTIC, UL 94V-0 COLOR: BLACK
1.2. CONTACT: COPPER ALLOY T=0.50
1.3. CAP: THERMOPLASTIC, UL 94V-0 COLOR: BLACK
- FINISH:
2.1. CONTACT: 3U" GOLD PLATING ON CONTACT AREA
80U" MIN NICKEL UNDERPLATING OVER ALL

PRODUCT NO.

BT08-03 A B 10-03

① ② ③ ④

PRODUCT SERIES:

① BT08: 3pin 刀式 电池连接器 8600

② PIN NO. :
03: 3PIN

③ MATERIAL:

A: LCP

④ SERIES NO. :

03: H=3.7mm

项目	名称	数量/套	MATERIAL/FINISH	REMARK
2	端子	3	COPPER ALLOY AU PLATED OVER NICKEL PLATED	
1	胶芯	1	Thermoplastic UL94V-0, BLACK	

CUSTOMER DRAWING
YTCOON
<http://www.hnytc.com>
Dongguan YTCOON Electronics Technology Co., Ltd.

GENERAL TOLERANCE

X ±0.20
 .XX ±0.15
 .XXX ±0.10

DRAWING DEYI
 APPROVED

TITLE: 3PIN 刀片式 电池连接器
 H=3.7mm 3.70Pitch

DATE 2012.04.24

DRAWING NO. C-BT08-03

ANGEL TOLERANCE
 X ±3°
 .XX ±2°
 .XXX ±1°

UNIT mm SCALE 1:1 SIZE A4 SHEET 1of1 REV A

