

REV	ECON #	DESCRIPTION	DRAWING	APPROVED	DATE
A	ECN110001	NEW RELEASE	GF		2011/11/03

- NOTES:
1. CONTACT CURRENT RATING: 1A.
 2. CONTACT RESISTANCE: 50 m² MAX.;
 3. INSULATION RESISTANCE: 1000² MIN.;
 4. DIELECTRIC WITHSTANDING: 500V AC MIN.;
 5. DURABILITY: 5,000 CYCLES MIN.;
 6. CONNECTOR MATING FORCES: 29.4N (3.00Kgf) MAX.;
 7. CONNECTOR UNMATING FORCES: 2.94N(0.30Kgf) MIN.;
 8. PRODUCT MEET THE REQUEST OF THE Rohs, SEE TABLE A:

PRODUCT NO.

PJ08-06 A B 05-01

- ① ② ③ ④

① PRODUCT SERIES:

PJ08:PHONE JACK CONNECTOR slim 1.0mm type.

② PIN NO.:

04: 4PIN

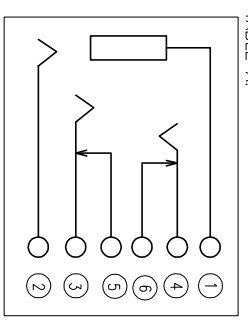
06: 6PIN

③ MATERIAL:

A: PA9T

④ SERIES NO.:

01: L=13mm 短头 全贴

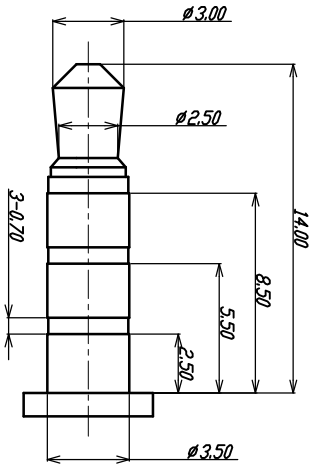
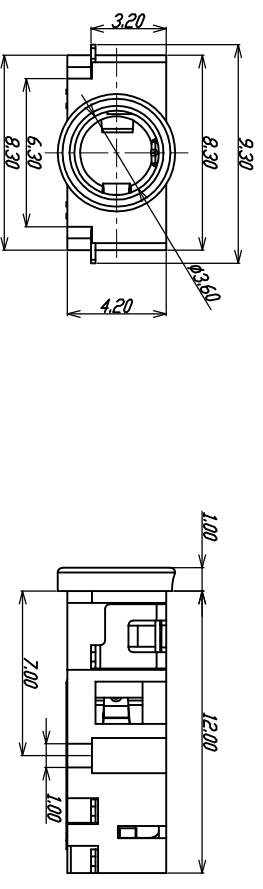
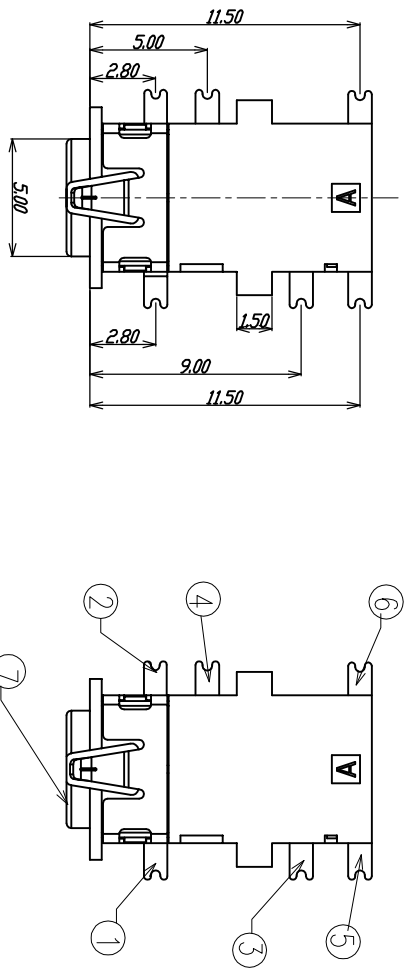


YTCOON

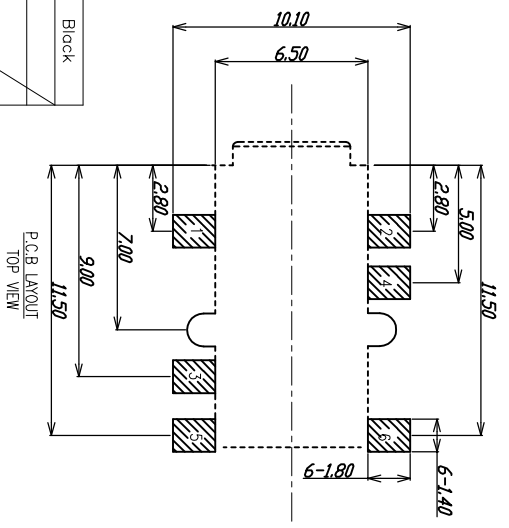
Dongguan YTCOON Electronics Technology Co., Ltd.

CUSTOMER DRAWING

GENERAL TOLERANCE	DRAWING	DEV1	TITLE:	PHONE JACK CONNECTOR
X ±0.20	APPROVED		P/N:	slim 1.0mm type L=13mm 短头全贴
.XX ±0.15	DATE	2012. 04. 26	DRAWING NO.	PJ08-06AB05-01
.XXX ±0.10	UNIT	mm	SCALE	1:1
ANGEL TOLERANCE			SIZE	A4
X ±5°			SHEET	1of2
.XX ±2°			REV	A
.XXX ±1°				



(φ3.50mm 4 POLE PLUG DETAIL DRAWING)



⑦	HOUSING	1	PPA		Block
⑥	CONTACT F	1	PHOSPHOR BRONZE 0.20T	Gold Flash	
⑤	CONTACT E	1	PHOSPHOR BRONZE 0.20T	Gold Flash	
④	CONTACT D	1	PHOSPHOR BRONZE 0.20T	Gold Flash	
③	CONTACT C	1	PHOSPHOR BRONZE 0.20T	Gold Flash	
②	CONTACT B	1	PHOSPHOR BRONZE 0.20T	Gold Flash	
①	CONTACT A	1	PHOSPHOR BRONZE 0.20T	Gold Flash	
ITEM	PART NAME	QTY	MATERIAL	DESCRIPTION	REMARK

1 2 3 4 5 6 7 8 9 10