

REV	ECN #	DESCRIPTION	DRAWING	APPROVED	DATE
A		NEW RELEASE	DEV1		2012/05/25

NOTES:

1. MATERIAL: SEE TABLE A
2. PACKAGE: TAPE&REEL

PRODUCT NO. _____

PJ26-06 A B 03-04

- ① ② ③ ④

① PRODUCT SERIES:

PJ26: PHONE JACK CONNECTOR

② PIN NO.:

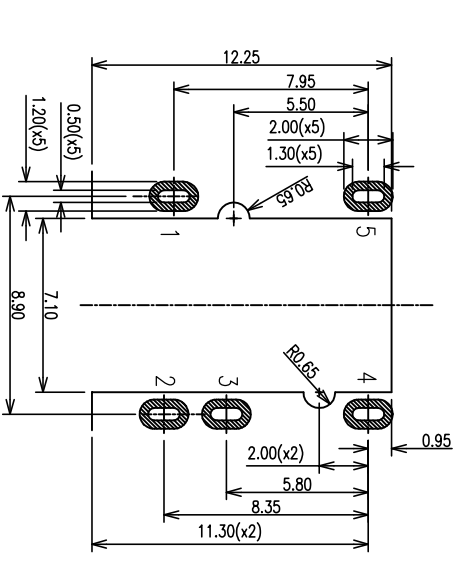
05: 5PIN

③ MATERIAL:

A: LCP

④ SERIES NO.:

04: 沉板2.05mm



RECOMMENDED PCB LAYOUT
TOLERANCES ±0.05(TOP VIEW)

TABLE A:

ITEM	NAME	QTY	MATERIAL / FINISH
6	HOUSING	1	HIGH TEMPERATURE UL 94-V0 BLACK
5	CONTACT 5	1	COPPER ALLOY/CONTACT AREA GOLD PLATED
4	CONTACT 4	1	COPPER ALLOY/CONTACT AREA GOLD PLATED
3	CONTACT 3	1	COPPER ALLOY/CONTACT AREA GOLD PLATED
2	CONTACT 2	1	COPPER ALLOY/CONTACT AREA GOLD PLATED
1	CONTACT 1	1	COPPER ALLOY/CONTACT AREA GOLD PLATED

YTCOON
Dongguan YTCOON
Electronics Technology Co., Ltd.

CUSTOMER DRAWING

GENERAL TOLERANCE

X ±0.20
.XX ±0.15
.XXX ±0.10

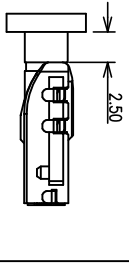
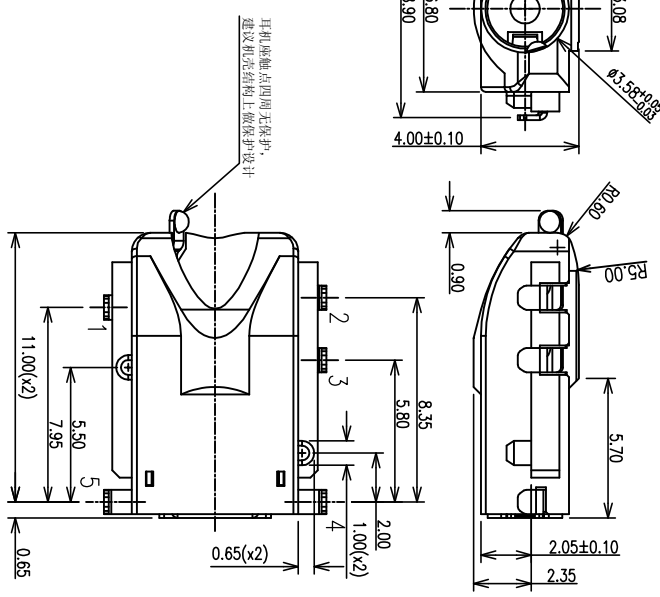
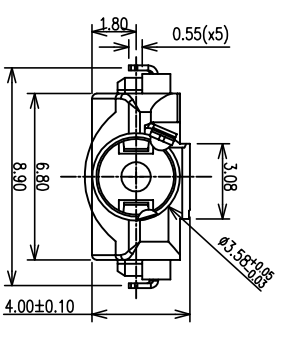
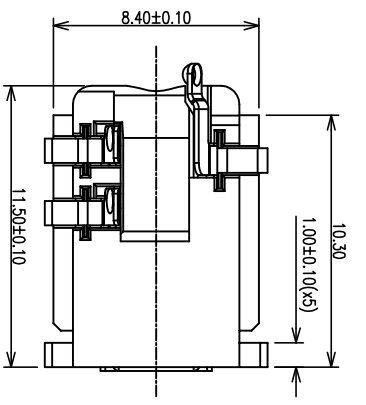
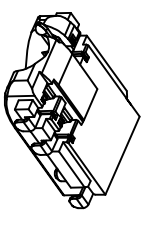
ANGEL TOLERANCE

X ±5°
.XX ±2°
.XXX ±1°

TITLE: 3.6H双斜口反向沉板2.05耳机座
DIP TYPE, 加后盖

DATE: 2015. 01. 22
DRAWING NO.: C-PJ26-04

DRAWING	DEVI	DATE	UNIT	SCALE	SIZE	A4	SHEET	1of1	REV	A
APPROVED			mm	1:1	A4					



PLUG MATED DIMENSION
耳机斜口面建议以机壳做限位
防止耳机头在插拔时力量过大
将耳机座损坏

