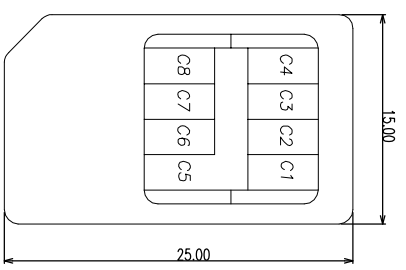
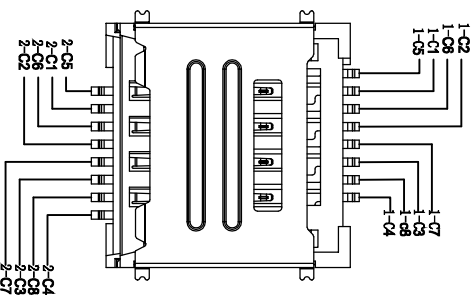
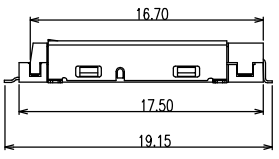
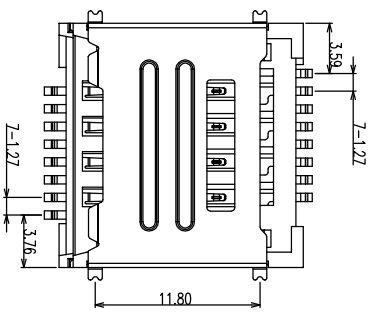
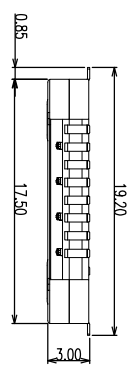


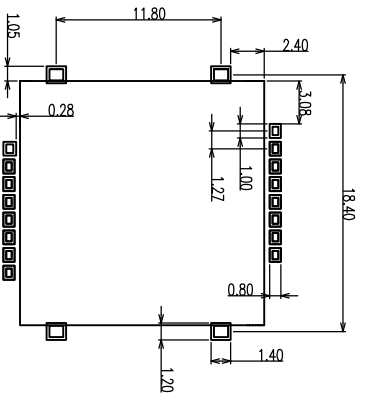
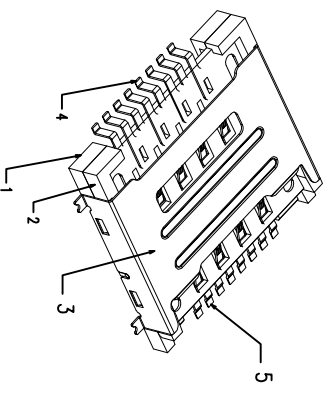
REV	ECN #	DESCRIPTION	DRAWING	APPROVED	DATE
A		NEW RELEASE	DEY1		



- C1:VCC
- C2:RST
- C3:CLK
- C4:RESERVED
- C5:GND
- C6:VPP
- C7:1/0
- C8:RESERVED

NOTES:
 1.0 RATING:
 1.1 VOLTAGE:12 VAC (rms) MIN.
 1.2 CURRENT: 1 AMPERES MAX. PER CONTACT
 1.3 OPERATION TEMPERATURE RANGE: -25C~+70C
 2.0 ELECTRIC CHARACTERISTICS:
 2.1 CONTACT RESISTANCE:60mΩ MAX.
 2.2 INSULATION RESISTANCE: 1000M Ω
 2.3 DIELECTRIC WITHSTANDING VOLTAGE:500V AC FOR 1 MINUTE
 3.0 OPERATION LIFE: 5000 CYCLES
 4.0 MATERIAL/FINISH:SEE TABLE
 5.0 CONTACT PIN ASSIGNMENT:SEE TABLE

- 料号编码
SM09 - 16 C B 09 - 00
 ① 产品系列:
 SM09: 双层SIM卡连接器
 ② 产品PIN数:
 16: 16PIN
 ③ 塑胶材料:
 C: LCP
 ④ 塑胶颜色:
 B: 黑色
 ⑤ 产品流水号
 00: 外埠



RECOMMENDED PCB LAYOUT
 TOLERANCE: ±0.05

项目	名称	数量/套	MATERIAL/FINISHED
5	下端子	1	COPPER ALLOY
4	上端子	1	COPPER ALLOY
3	铁壳	1	不锈钢
2	上胶芯	1	THERMOPLASTIC, 黑色
1	下胶芯	1	THERMOPLASTIC, 黑色

YTCOON
 Dongguan YTCOON
 Electronics Technology Co., Ltd

GENERAL TOLERANCE		DRAWING		TITLE:	
X	±0.20	DEY1		双层SIM CARD 3.0H 连接器	
.X	±0.15	APPROVED		P/N:	SM09-16CB09-00
.XX	±0.10	DATE	2012.04.26	DRAWING NO.	C-SM09-00
.XXX	±0.05	UNIT	mm	SCALE	1:1
ANGEL TOLERANCE	±3°	SIZE	A4	SHEET	1of1
X	±2°	SHEET		REV	A
.XX	±1°				
.XXX	±1°				