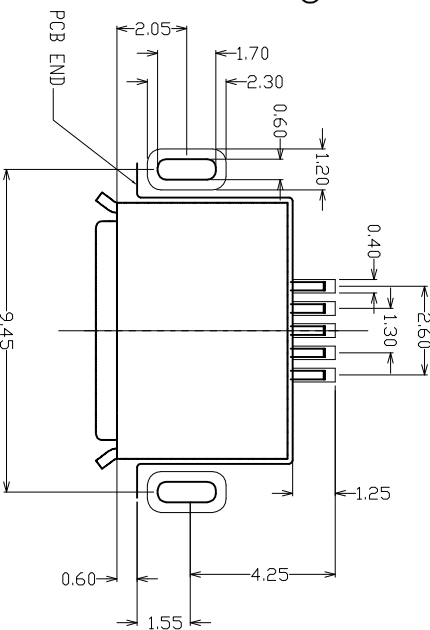
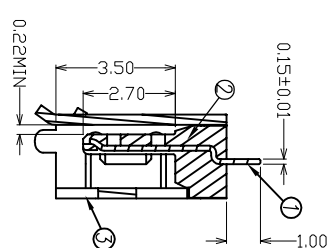
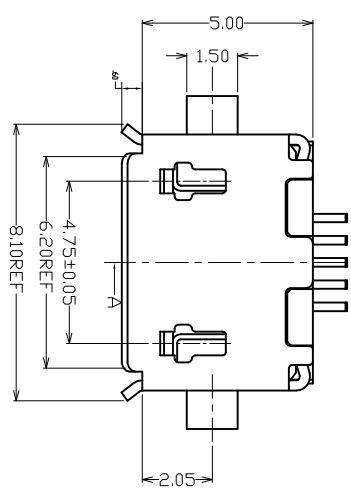
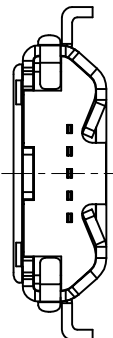
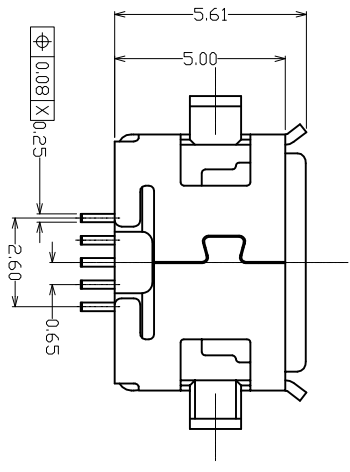
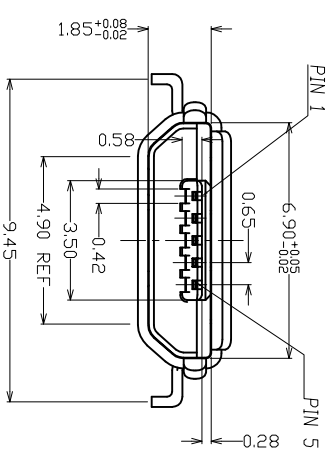
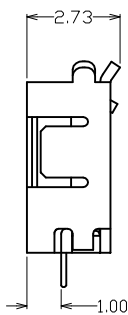


REV	EON #	DESCRIPTION	DRAWING	APPROVED	DATE
A		NEW RELEASE			



RECOMMEND P.C.B LAYOUT



- NOTES:
- MATERIAL:
A. PIN&SHELL: ALLOY COPPER
B. INSULATOR: HIGH TEMPERATURE THERMOPLASTICS UL94V-0, BLACK.
 - ELECTRICAL SPECIFICATIONS:
VOLTAGE RATING: 250 VAC MIN
CURRENT RATING: 2.0 A MIN
DIELECTRIC STRENGTH: 100 VAC FOR 1 MINUTE MIN
INSULATION RESISTANCE: 100 MEG OHM MIN
CONTACT RESISTANCE: 100 MILLI OHM MAX
OPERATION TEMPERATURE: -55;8 TO +125;8
 - MECHANICAL SPECIFICATIONS:
4.1 DURABILITY: 5,000 CYCLES
 - THE DIMENSION MARKED NO. SHOULD BE CHECKED IN PRODUCTION.
 - MATERIAL SHOULD BE FILLED ROHS REQUIREMENTS.

- PRODUCT NO.
MU05 - 05 A B 05 - 16
- ① 产品系列: MU05: MICRO USB 连接器
 - ② 产品PN码: 05: SPIN
 - ③ 主体材质: A: LCP
 - ④ SERIES NO.: 16: 破板1.0, 半翻边

TABLE A:

ITEM	NAME	Q'TY/EACH	MATERIAL/FINISHED	REMARK
3	SHELL	1	ALL Tin PLATED	
2	HOUSING	1	Thermoplastic UL94V-0, BLACK	
1	CONTACT	5	Au PLATED OVER Sn PLATED	

CUSTOMER DRAWING

YTCONN
Dongguan Ytconn Electronics Technology Co., Ltd.
<http://www.hnytconn.com>

GENERAL TOLERANCE	DRAWING	DEVT	TITLE
X ±0.20			MICRO USB CONNECTOR 破板1.0mm
XX ±0.15	APPROVED		铁壳半翻边, 插板式
.XXX ±0.10			
ANGEL TOLERANCE	DATE	DRAWING NO.	
X ±3°	2012. 04. 26	C-MU05-16	
XX ±2°			
.XXX ±1°			

UNIT	SCALE	SIZE	A4 SHEET	1of1	REV	A
mm	1:1	A4	SHEET	1of1	REV	A