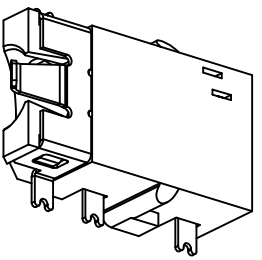
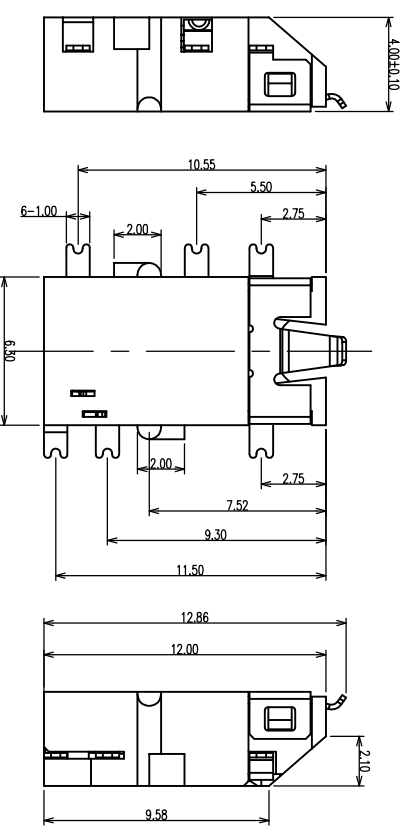
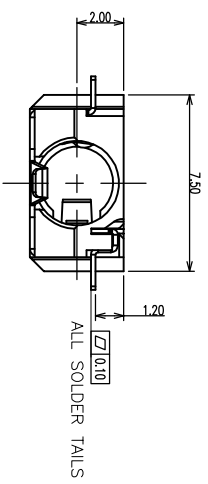


REV	ECON #	DESCRIPTION	DRAWING	APPROVED	DATE
A		NEW RELEASE	DEYI		2012/4/24



- NOTES :
- 1.0. RATING :
 - 1.1. VOLTAGE : 12 VAC (R.M.S)
 - 1.2. CURRENT : 1 AMPERE MAXIMUM PER CONTACT AT 30°C T-RISE
 - 1.3. TEMPERATURE : -20°C TO +70°C
 - 2.0. ELECTRICAL CHARACTERISTIC :
 - 2.1. CONTACT RESISTANCE : 50 MILLIOHMS MAXIMUM INITIAL
 - 2.2. INSULATION RESISTANCE : 100 MEGOHMS MINIMUM
 - 2.3. DIELECTRIC WITHSTANDING VOLTAGE : 500 VAC AT SEA LEVEL
 - 3.0. MATERIALS :
 - 3.1. CONTACT : COPPER ALLOY
 - 3.2. HOUSING : THERMOPLASTIC, GLASS FILLED, 130°C, UL 94V-0 RATED
 - 4.0. MECHANICAL :
 - 4.1. INSERTION FORCE(PER CONTACT): 300~3000 GRAMS
 - 4.2. WITHDRAWAL FORCE(PER CONTACT): 300~3000 GRAMS
 - 4.3. DURABILITY : MINIMUM: MATED 5000 TIMES WITHOUT DEGRADING ELECTRICAL CHARACTERISTICS
 - 4.4. CONTACT FORCE, MINIMUM: 80 GRAMS

PRODUCT NO.

PJ02-06- A B 07-07

① ② ③ ④

PRODUCT SERIES:

① PJ02: PHONE JACK CONNECTOR SLIM type.

② PIN NO. :

04: 4PIN

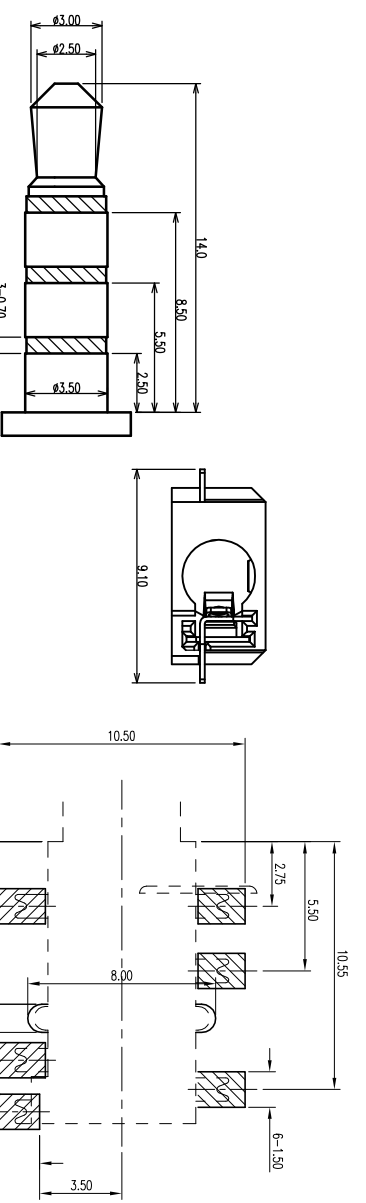
06: 6PIN

③ MATERIAL:

A: LCP

④ SERIES NO. :

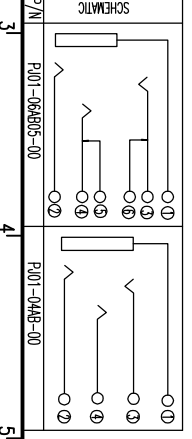
07: 无头大斜口



(ø3.50mm 4 POLE PLUG DETAIL DRAWING)

P.C.B LAYOUT TOP VIEW

NO.	Part Name	QTY	Description	Plated/Color	Note
1	TERMINAL A	1	C5191R-H T=0.20mm	Plated Au	
2	TERMINAL B	1	C5191R-H T=0.25mm	Plated Au	
3	TERMINAL C	1	C17460R-H T=0.20mm	Plated Au	
4	TERMINAL D	1	C5210R-H T=0.25mm	Plated Au	
5	TERMINAL E	1	C2690R-H T=0.25mm	Plated Au	
6	TERMINAL F	1	C2690R-H T=0.20mm	Plated Au	
7	HOUSING	1	LCP+30%GF/PA6+40%GF	Color: BLACK	(U-9W-0)



CUSTOMER DRAWING

GENERAL TOLERANCE

X	±0.20
.XX	±0.15
.XXX	±0.10

ANGLE TOLERANCE

X	±3°
.XX	±2°
.XXX	±1°

YTCONN Dongguan YTCONN Electronics Technology Co., Ltd.

TITLE: PHONE JACK CONNECTOR SLIM TYPE (无头大斜口)

APPROVED: P/N: PJ02-06AB07-07

DATE: 2014.05.05 DRAWING NO.: C-PJ02-04

UNIT	mm	SCALE	1:1	SIZE	A4	SHEET	1of1	REV	A
------	----	-------	-----	------	----	-------	------	-----	---