

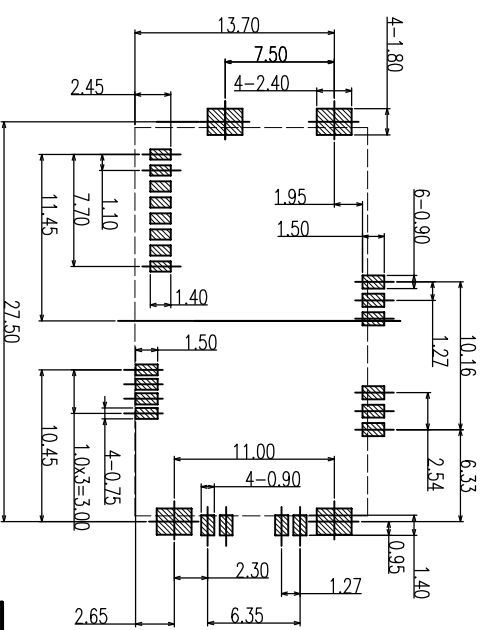
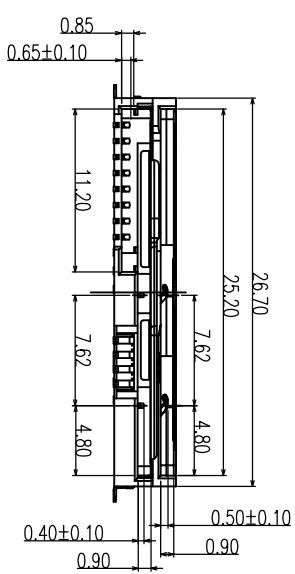
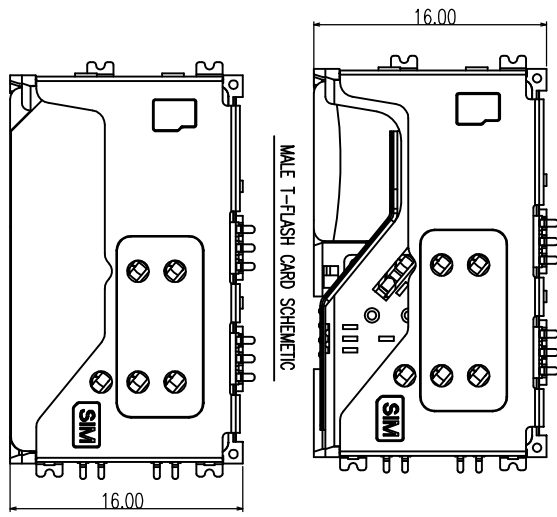
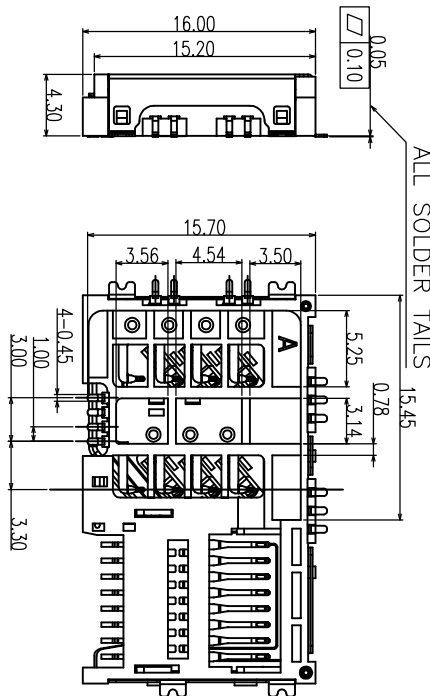
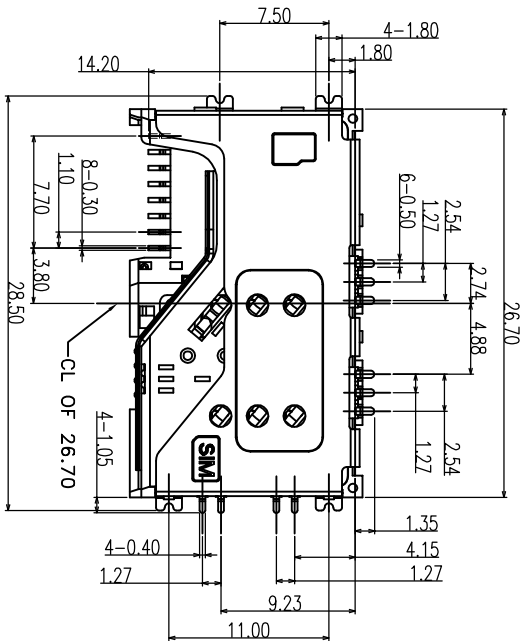
REV	ECN #
A	

DESCRIPTION
NEW RELEASE

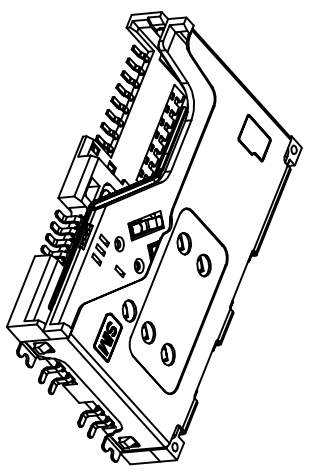
DRAWING
DEV1

APPROVED

DATE
04/26/12



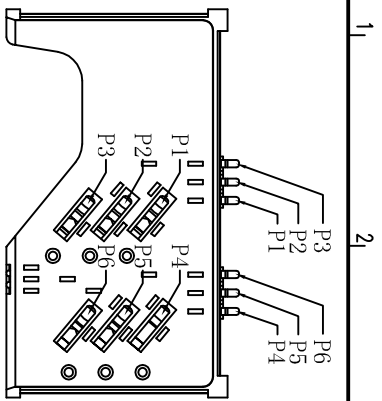
- 料号编码
SM20-22 A B 05-01
① ② ③ ④ ⑤
- ① 产品系列:
SM20: DUBLE SIMCARD +TF CARD CONNECTOR
- ② 产品PIN数:
22: 22PIN
- ③ 塑胶材料:
A: LCP
- ④ 塑胶颜色:
B: 黑色
- ⑤ 产品流水号
01:



RECOMMENDED P.C.BOARD LAYOUT (TOP VIEW)
TOLERANCES UNLESS OTHERWISE SPEC.±0.05

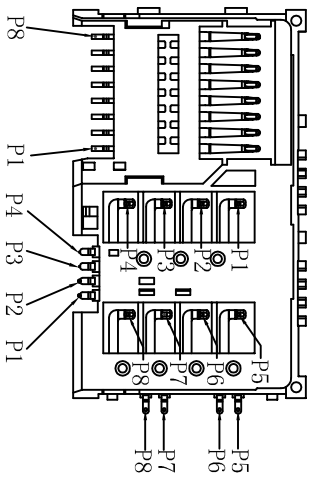
PAD AREA KEEP OUT AREA

CUSTOMER DRAWING GENERAL TOLERANCE X ±0.20 XX ±0.15 XXX ±0.10 ANGEL TOLERANCE X ±3° XX ±2° XXX ±1°		YTCOON http://www.hnyycoon.com Dongguan YTCOON Electronics Technology Co., Ltd	
DRAWING	DEV1	TITLE	DUBLE SIM CARD+TF CARD 3IN1
APPROVED		P/N:	SM20-22AB05-01
DATE	2013.02.27	DRAWING NO.	C-SM20-01
UNIT	mm	SCALE	1:1
SIZE	A4	SHEET	1of2
REV	A		



P1	GND
P2	VPP
P3	I/O
P4	VCC
P5	RST
P6	CLK

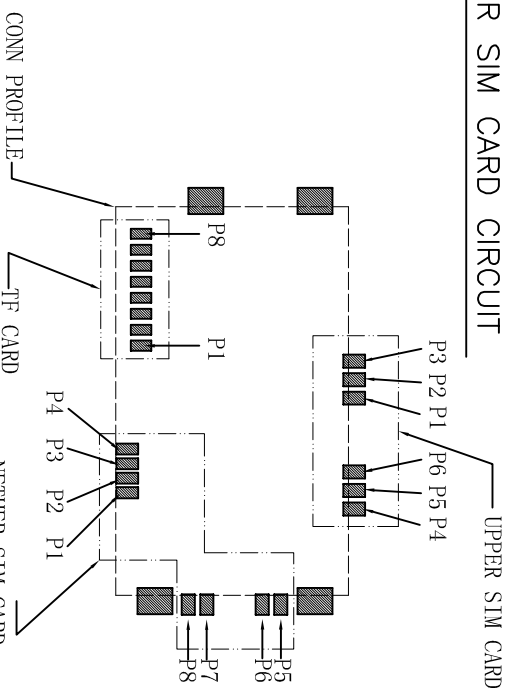
UPPER SIM CARD CIRCUIT



P1	GND
P2	VPP
P3	I/O
P4	RESERVED
P5	VCC
P6	RST
P7	CLK
P8	RESERVED

TF CARD+NEITHER SIM CARD CIRCUIT

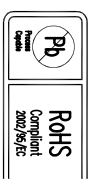
P1(T)	DATA2
P2(T)	CD/DAT3
P3(T)	CMD
P4(T)	VDD
P5(T)	CLK
P6(T)	VSS
P7(T)	DAT0
P8(T)	DAT1



PCB LAYOUT PIN ASSIGNMENT

NOTES:

1. Material:
 - 1.1 Housing:Thermoplastic UL94—v0 Black;
 - 1.2 Terminal:Coppo Alloy;
 - 1.3 Shell:Stainless steel
 - 1.4 Slide:Stainless steel
2. Finish:
 - 2.1 Au On The Contact Area and Solder Tails;
 - 2.2 Shell: Selective Au On The Solder Tails.
3. Electrical Performance:
 - 3.1 Current Rating: 0.5A
 - 3.1 Contact Resistance:80mΩ Max;
 - 3.2 Dielectric Withstanding Voltage:250V AC rms for 1 minut;
 - 3.3 Insulation Resistance:1000 MΩ Min;
4. Mechanical Performance:
 - 4.1 Durability:5000 cycles;
5. PACKING:Tape&Reel;



CUSTOMER DRAWING		YTCNN http://www.hnyconn.com		Dongguan YTCNN Electronics Technology Co., Ltd	
GENERAL TOLERANCE		DRAWING	DEV1	TITLE: DOUBLE SIM CARD+TF CARD 3IN1	
X	±0.20	APPROVED		P/No	SM20-22AB05-01
XX	±0.15	DATE	2013.02.27	DRAWING NO.	C-SM20-01
XXX	±0.10	UNIT	mm	SCALE	1:1
X	±3	SIZE	A4	SHEET	2of2
XX	±2	REV			A
XXX	±1				