

REV	ECN #	DESCRIPTION	DRAWING	APPROVED	DATE
A	ECN110001	NEW RELEASE	GF		2011/11/03

- NOTES:
- CONTACT CURRENT RATING: 1A.
 - CONTACT RESISTANCE: 50 m² MAX.;
 - INSULATION RESISTANCE: 1000² MIN.;
 - DIELECTRIC WITHSTANDING: 500V AC MIN.;
 - DURABILITY: 5,000 CYCLES MIN.;
 - CONNECTOR MATING FORCES: 29.4N (3.00Kgf) MAX.;
 - CONNECTOR UNMATING FORCES: 2.94N(0.30Kgf) MIN.;
 - PRODUCT MEET THE REQUEST OF THE ROHS, SEE TABLE A:

PRODUCT NO.

PJ08-06 A B 05-00

- ① ② ③ ④

① PRODUCT SERIES:

PJ08:PHONE JACK CONNECTOR slim 1.0mm type.

② PIN NO.:

04: 4PIN

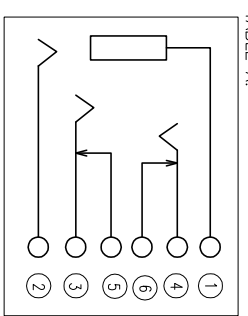
06: 6PIN

③ MATERIAL:

A: PA9T

④ SERIES NO.:

00: L=14mm 长头 全贴



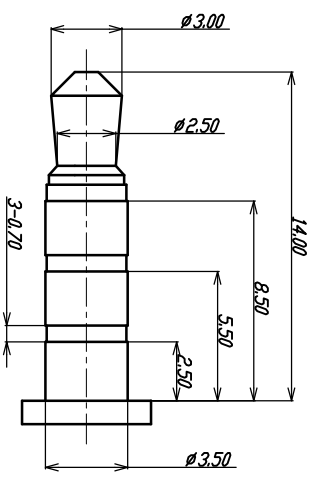
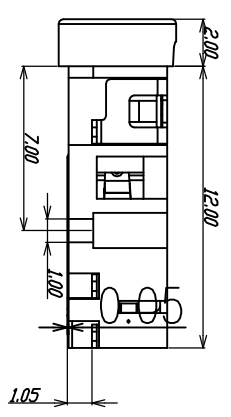
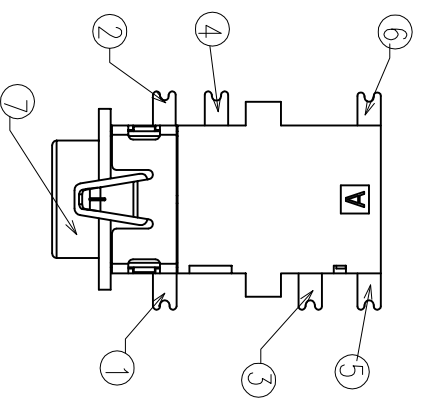
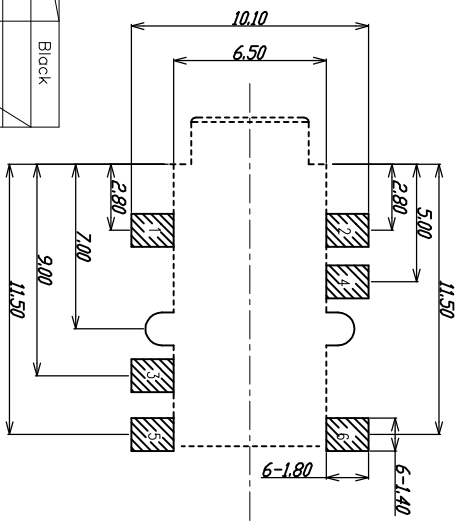
YTCOON

Dongguan YTCOON Electronics Technology Co., Ltd.

CUSTOMER DRAWING

GENERAL TOLERANCE	DRAWING	DEVI	TITLE:
X ±0.20			PHONE JACK CONNECTOR
.XX ±0.15	APPROVED		slim 1.0mm type L=14mm 长头全贴
.XXX ±0.10			P/N: PJ08-06AB05-00
ANGEL TOLERANCE	DATE	2012.04.26	DRAWING NO. C-PJ08-00
X ±5°			
.XX ±2°			
.XXX ±1°			

P.C.B LAYOUT TOP VIEW



(ø3.50mm 4 POLE PLUG DETAIL DRAWING)

ITEM	PART NAME	QTY	MATERIAL	DESCRIPTION	REMARK
⑦	HOUSING	1	PPA	Gold Flash	Block
⑥	CONTACT F	1	PHOSPHOR BRONZE 0.20T	Gold Flash	
⑤	CONTACT E	1	PHOSPHOR BRONZE 0.20T	Gold Flash	
④	CONTACT D	1	PHOSPHOR BRONZE 0.20T	Gold Flash	
③	CONTACT C	1	PHOSPHOR BRONZE 0.20T	Gold Flash	
②	CONTACT B	1	PHOSPHOR BRONZE 0.20T	Gold Flash	
①	CONTACT A	1	PHOSPHOR BRONZE 0.20T	Gold Flash	

1 2 3 4 5 6 7 8 9 10