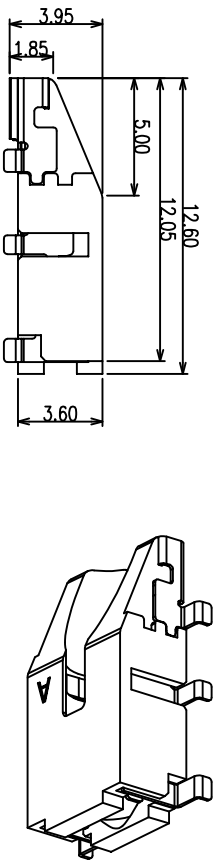
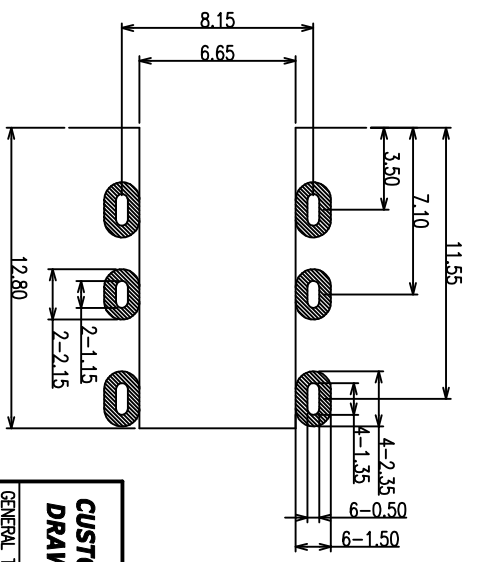
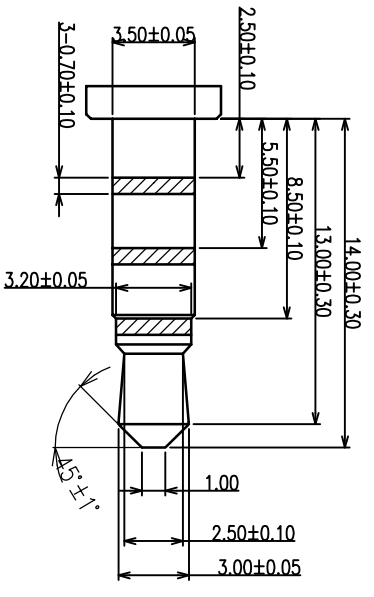
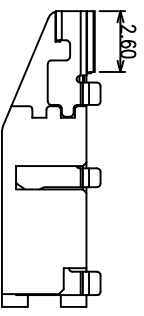
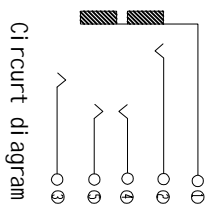
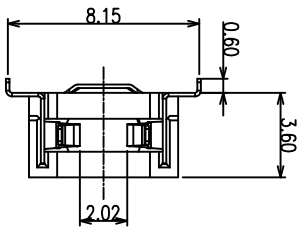
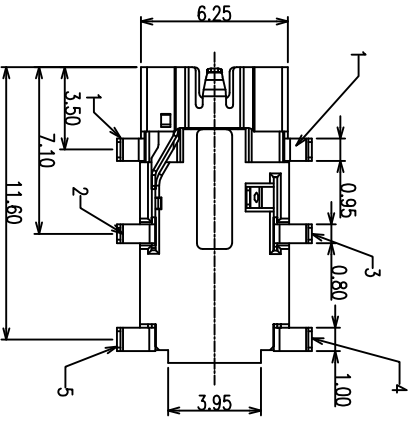
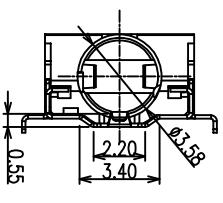


| REV | ECON # | DESCRIPTION | DRAWING | APPROVED | DATE |
|-----|--------|-------------|---------|----------|------------|
| A | | NEW RELEASE | DEV1 | | 2012/05/25 |



- NOTES:
1. CONTACT CURRENT RATING: 1A.
 2. CONTACT RESISTANCE: 50 mΩ MAX.;
 3. INSULATION RESISTANCE: 1000 Ω MIN.;
 4. DIELECTRIC WITHSTANDING: 500V AC MIN.;
 5. DURABILITY: 5,000 CYCLES MIN.;
 6. CONNECTOR MATING FORCES: 29.4N (3.00kgf) MAX.;
 7. CONNECTOR UNMATING FORCES: 2.94N(O.30kgf) MIN.;



PRODUCT NO.

PJ23-05 A B 03-05

- ①
- ②
- ③
- ④

① PRODUCT SERIES:
PJ23: PHONE JACK CONNECTOR.

② PIN NO. :

05: 5PIN

③ MATERIAL:

A: PA9T

④ SERIES NO. :

05:斜口,板上型

| | | | | | |
|-------------------------|----------|---------------|-------------|---|---------|
| CUSTOMER DRAWING | | YTCONN | | Dongguan YTCONN Electronics Technology Co., Ltd. | |
| GENERAL TOLERANCE | DRAWING | DEV1 | TITLE: | PHONE JACK CONNECTOR板上型斜口 | |
| X ±0.20 | APPROVED | | P/N: | PJ23-05AB03-05 | |
| .XX ±0.15 | DATE | 2014.07.18 | DRAWING NO. | C-PJ23-05 | |
| .XXX ±0.10 | UNIT | mm | SCALE | 1:1 | SIZE A4 |
| ANGEL TOLERANCE | | | SHEET | 1of1 | REV A |
| X ±5° | | | | | |
| .XX ±2° | | | | | |
| .XXX ±1° | | | | | |

PLUG SPEC

