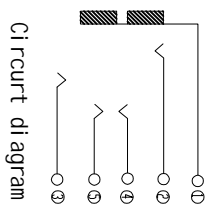
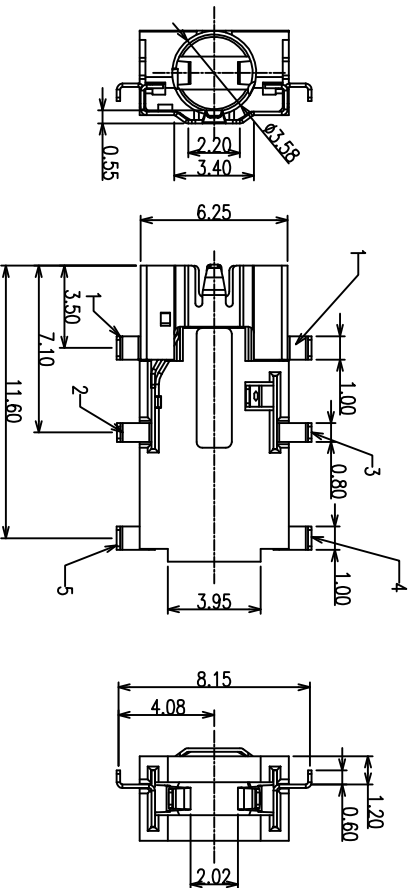
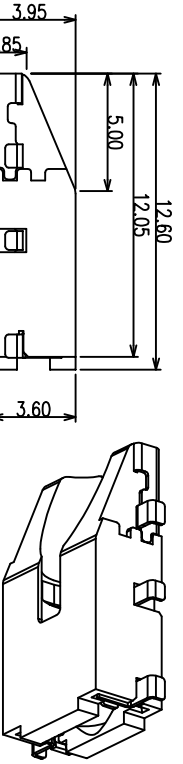


REV	ECH #	DESCRIPTION	DRAWING	APPROVED	DATE
A		NEW RELEASE	DEV1		2012/05/25



- NOTES:
1. CONTACT CURRENT RATING: 1A.
 2. CONTACT RESISTANCE: 50 mΩ MAX.;
 3. INSULATION RESISTANCE: 1000 Ω MIN.;
 4. DIELECTRIC WITHSTANDING: 500V AC MIN.;
 5. DURABILITY: 5,000 CYCLES MIN.;
 6. CONNECTOR MATING FORCES: 29.4N (3.00kgf) MAX.;
 7. CONNECTOR UNMATING FORCES: 2.94N(O. 30kgf) MIN.;

PRODUCT NO.

PJ23-05 A B 03-01

- ①
- ②
- ③
- ④

① PRODUCT SERIES:
PJ23: PHONE JACK CONNECTOR.

② PIN NO. :

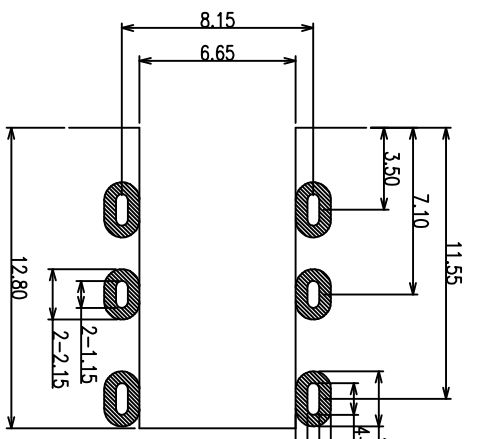
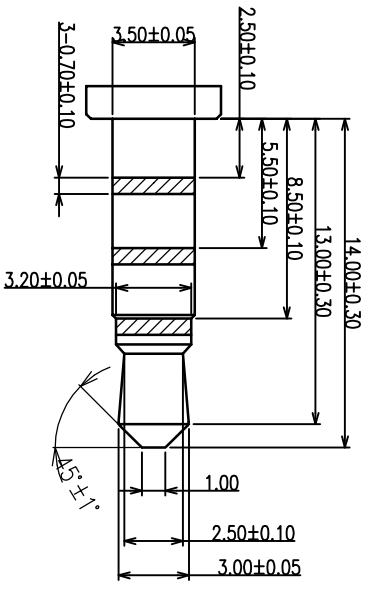
05: 5PIN

③ MATERIAL:

A: PA9T

④ SERIES NO. :

01:斜口, 沉板1.2H



PLUG SPEC

CUSTOMER DRAWING		YTCONN		Dongguan YTCONN Electronics Technology Co., Ltd.	
GENERAL TOLERANCE	DRAWING	DEV1	TITLE:	PHONE JACK CONNECTOR沉板1.2H斜口	
X ±0.20	APPROVED		P/N:	PJ23-05AB03-01	
.XX ±0.15	DATE	2013. 07. 23	DRAWING NO.	C-PJ23-01	
.XXX ±0.10	UNIT	mm	SCALE	1:1	SIZE A4
ANGEL TOLERANCE			SHEET	1of1	REV A
X ±5°					
.XX ±2°					
.XXX ±1°					