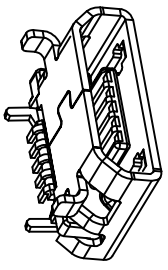
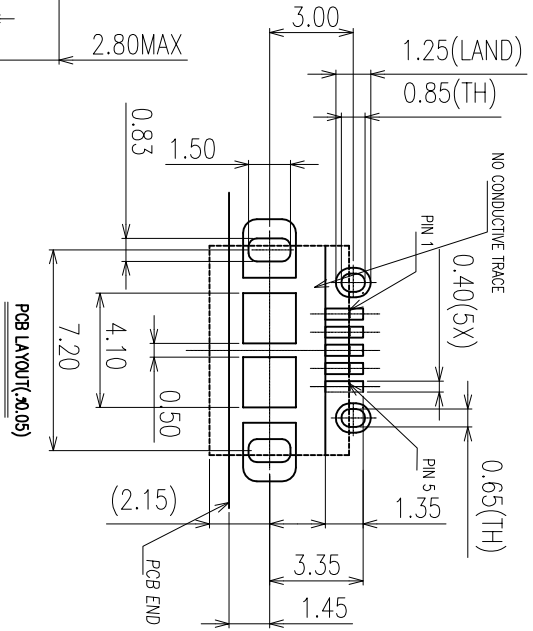
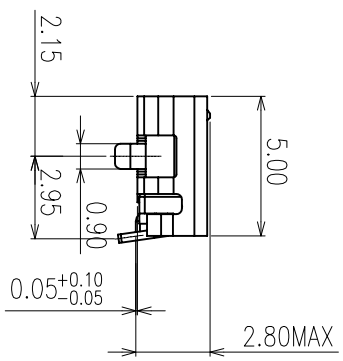
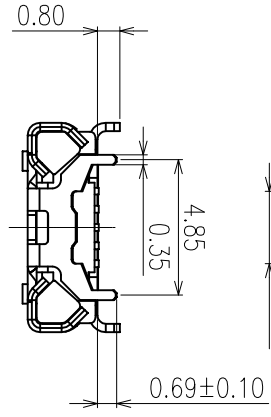
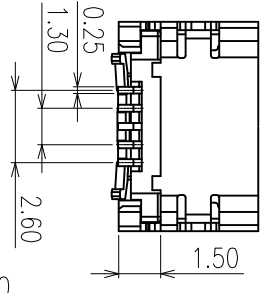
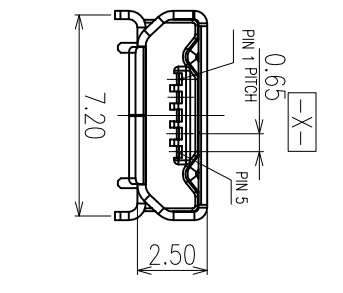
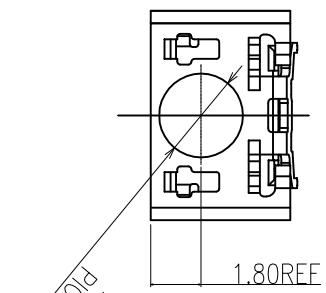


REV	ECN #	DESCRIPTION	DRAWING	APPROVED	DATE
A		NEW RELEASE			



- NOTES:
- MATERIAL:
 - PINKSHELL: ALLOY COPPER
 - INSULATOR: HIGH TEMPERATURE THERMOPLASTICS UL94V-0, BLACK.
 - ELECTRICAL SPECIFICATIONS:
 - VOLTAGE RATING: 250 VAC MIN
 - CURRENT RATING: 2.0 A MIN
 - DIELECTRIC STRENGTH: 100 VAC FOR 1 MINUTE MIN
 - INSULATION RESISTANCE: 100 MEG OHM MIN
 - CONTACT RESISTANCE: 100 MILLIOHM MAX
 - MECHANICAL SPECIFICATIONS:
 - OPERATION TEMPERATURE: -55°C TO +125°C
 - 4.1 DURABILITY: 5,000 CYCLES
 - THE DIMENSION MARKED NO. SHOULD BE CHECKED IN PRODUCTION.
 - MATERIAL SHOULD BE FILED FOR ROHS REQUIREMENTS.

- PRODUCT NO.
- MU05 - 05 A B 05 - 23
- ① 产品系列: MU05: MICRO USB 连接器
 - ② 产品PIN数: 05: 5PIN
 - ③ 主体材质: A: LCP
 - ④ SERIES NO.:

23: 外壳4脚插板, 前2脚中心距7.2mm, 无翻边

CUSTOMER DRAWING		YTCONN		Dongguan YTCONN Electronics Technology Co., Ltd.	
GENERAL TOLERANCE	X ±0.20 XX ±0.15 XXX ±0.10	DRAWING	DEV1	TITLE:	MICRO USB CONNECTOR
ANGLE TOLERANCE	X ±3° XX ±2° XXX ±1°	APPROVED		P/N:	MU05-05AB05-23
		DATE	2013.06.20	DRAWING NO.	C-MU05-23
		UNIT	mm	SCALE	1:1
		SIZE	A4	SHEET	1 of 1
		REV	A		