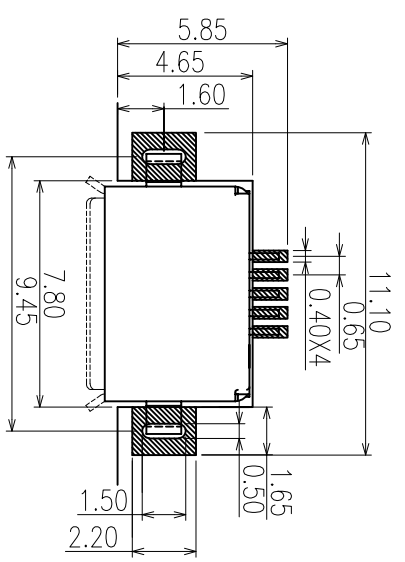
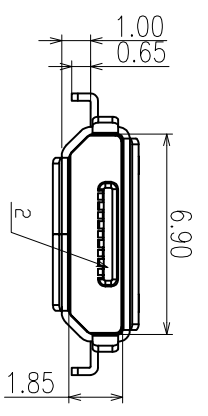
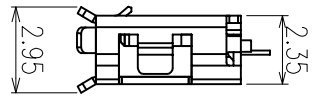
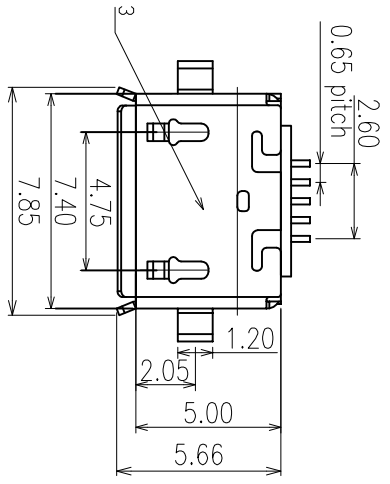
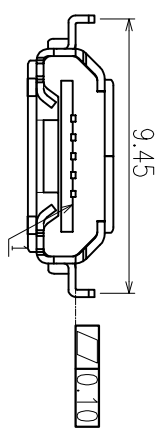


REV	ECON #	DESCRIPTION	DRAWING	APPROVED	DATE
A		NEW RELEASE			



RECOMMENDED PCB LAYOUT
TOLERANCE:±0.05

- NOTES:
- MATERIAL:
A. PIN&SHELL: ALLOY COPPER
B. INSULATOR: HIGH TEMPERATURE THERMOPLASTICS
UL94V-0, BLACK.
 - ELECTRICAL SPECIFICATIONS:
VOLTAGE RATING: 250 VAC MIN
CURRENT RATING: 2.0 A MIN
DIELECTRIC STRENGTH: 100 VAC FOR 1 MINUTE MIN
INSULATION RESISTANCE: 100 MEG OHM MIN
CONTACT RESISTANCE: 100 MILL OHM MAX
OPERATION TEMPERATURE: -55to +125to
 - MECHANICAL SPECIFICATIONS:
4.1 DURABILITY: 5,000 CYCLES
 4. THE DIMENSION MARKED NO. SHOULD BE CHECKED IN PRODUCTION.
 - MATERIAL SHOULD BE FULFILLED ROHS REQUIREMENTS.

PRODUCT NO.

MU05 - 05 A B 05 - 07

- ① 产品系列: MU05: MICRO USB 连接器
- ② 产品PIN数: 05: 5PIN
- ③ 主体材质: A: LCP
- ④ SERIES NO.: 07: 破板1.0, 有翻边

TABLE A:

ITEM	NAME	Q'TY/EACH	MATERIAL/FINISHED	REMARK
3	SHELL	1	ALL Tin PLATED	
2	HOUSING	1	Thermoplastic UL94V-0, BLACK	
1	CONTACT	5	Au PLATED OVER Sn PLATED	

CUSTOMER DRAWING

YTCONN
Dongguan YTCONN
Electronics Technology Co., Ltd.

GENERAL TOLERANCE

X ±0.20
XX ±0.15
XXX ±0.10

ANGLE TOLERANCE

X ±3°
XX ±2°
XXX ±1°

TITLE: MICRO USB CONNECTOR 破板1.0mm
铁壳有翻边, 插板式

DRAWING DEVT
APPROVED
DATE 2012. 04. 26
SCALE 1:1
SIZE A4
SHEET 1 of 1
REV A

P/N: MU05-05AB05-07
DRAWING NO. C-MU05-07