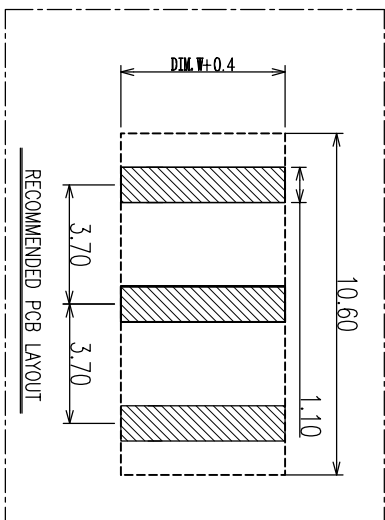
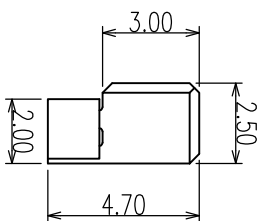
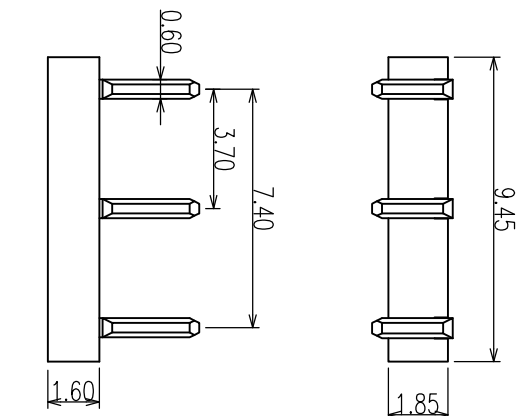


REV	EON #	DESCRIPTION	DRAWING	APPROVED	DATE
A		NEW RELEASE	DEY1		2012/4/24



- NOTES:
- CONTACT CURRENT RATING: 1.0A.
 - CONTACT RESISTANCE: 50 m² MAX.;
 - INSULATION RESISTANCE: 1000 Ω MIN.;
 - DIELECTRIC WITHSTANDING: 300V AC MIN.;
 - DURABILITY: 5,000 CYCLES MIN.;
 - CONNECTOR MATING FORCES: 29.8N (3.00kgf) MAX.;
 - CONNECTOR UNMATING FORCES: 3N(0.31kgf) MIN.;
 - PRODUCT MEET THE REQUEST OF THE RoHS, SEE TABLE A:

TABLE A:

MATTER	RoHS (PPM)
Cd	≤100
Pb	≤1000
Hg	≤1000
Cr+6	≤1000
PBB	≤1000
PBDE	≤1000

PRODUCT NO.

BT09-03 A B 10-08

① ② ③ ④

PRODUCT SERIES:

① BT09: 3pin 方式 電池连接器

② PIN NO.:

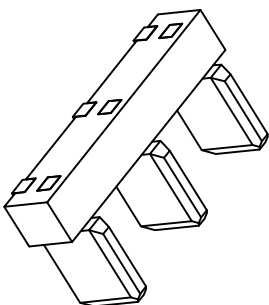
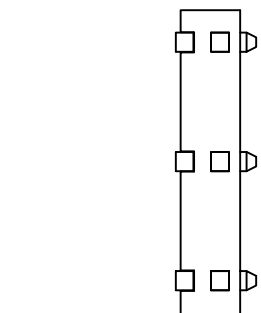
03: 3PIN

③ MATERIAL:

A: LCP

④ SERIES NO.:

08: 2.5H



ITEM	PART NAME	Q'TY	MATERIAL	DESCRIPTION	REMARK
②	HOUSING	1	LCP+30%G.F		BLACK
①	CONTACT A	3	PHOSPHOR BRONZE 0.60T	Gold Flash	

CUSTOMER DRAWING

YTCONN
http://www.hnytconn.com

Dongguan YTCONN Electronics Technology Co., Ltd.

GENERAL TOLERANCE

X. ±0.20
.XX ±0.15
.XXX ±0.10

DRAWING DEY1

TITLE:

BATTERY 3PIN CONNECTOR H2.5 (NOKIA 8600)

APPROVED

P/N:

BT09-03AB10-08

ANGEL TOLERANCE

X. ±3°
.XX ±2°
.XXX ±1°

DATE 2015. 11. 18

DRAWING NO.

C-BT09-05



UNIT

mm

SCALE

1:1

SIZE

A4

SHEET

1of1

REV

A

