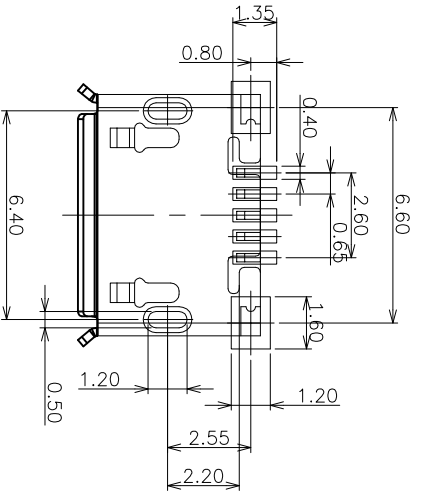
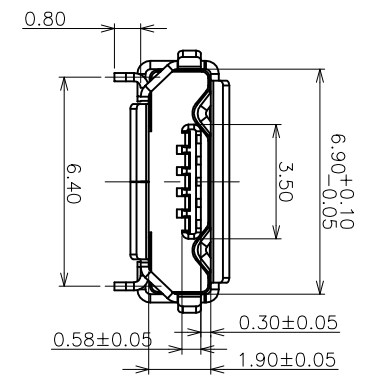
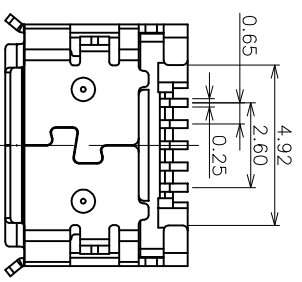
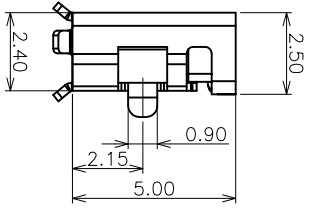
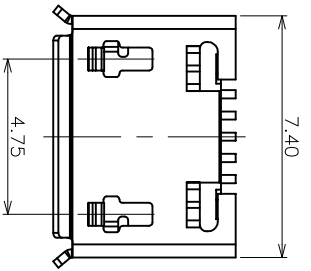
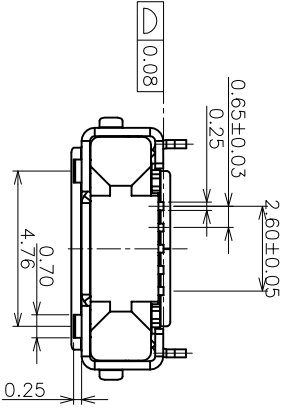
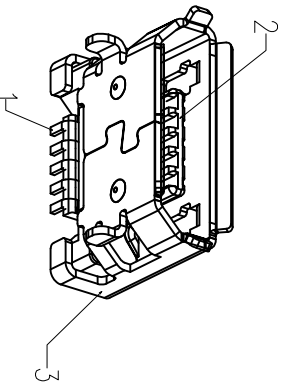


REV	ECH #	DESCRIPTION	DRAWING	APPROVED	DATE
A		NEW RELEASE	DEY1		2012.11.05



RECOMMENDED PCB LAYOUT(TOP VIEW)  
GENERAL TOLERANCES:±0.05

- NOTES:  
1. MATERIAL:  
A. PIN&SHELL: ALLOY COPPER  
B. INSULATOR: HIGH TEMPERATURE THERMOPLASTICS UL94V-0, BLACK.  
2. ELECTRICAL SPECIFICATIONS:  
VOLTAGE RATING: 250 VAC MIN  
CURRENT RATING: 2.0 A MIN  
DIELECTRIC STRENGTH: 100 VAC FOR 1 MINUTE MIN  
INSULATION RESISTANCE: 100 MEG OHM MIN  
CONTACT RESISTANCE: 100 MILL.OHM MAX  
OPERATION TEMPERATURE: -55ï¿½ TO +125ï¿½  
3. MECHANICAL SPECIFICATIONS:  
3.1 DURABILITY: 5,000 CYCLES  
4. THE DIMENSION MARKED NO. SHOULD BE CHECKED IN PRODUCTION.  
5. MATERIAL SHOULD BE FULFILLED ROHS REQUIREMENTS.

- PRODUCT NO. MU05 - 05 A B 05 -04  
① ② ③ ④  
① 产品系列: MU05: MICRO USB 连接器  
② 产品PIN数: 05: 5PIN  
③ 主体材质: A: PA9T  
④ SERIES NO.: 04: 6.4mm间距, 有翻边, 无定位柱

TABLE A:

ITEM	NAME	Q'TY/EACH	MATERIAL/FINISH	REMARK
3	SHELL	1	ALL NI PLATED	
2	HOUSING	1	Thermoplastic UL94V-0, BLACK	
1	CONTACT	5	AU PLATED OVER Sn PLATED	

**CUSTOMER DRAWING**  
**YTCOON**  
Dongguan YTCOON Electronics Technology Co., Ltd

GENERAL TOLERANCE		DRAWING		TITLE:	
X ±0.20	X ±0.15	DEY1	MICRO USB SPIN CONNECTOR		
.XXX ±0.10	ANGEL TOLERANCE	APPROVED	DIP TYPE		
X ±.3°	X ±.2°	DATE	2013.06.25	P/N:	MU05-05AB05-04
.XXX ±.1°		UNIT	mm	DRAWING NO.	C-MU05-04

UNIT	SCALE	SIZE	A4	SHEET	1of1	REV	A
mm	1:1	A4	SHEET	1of1	REV	A	